

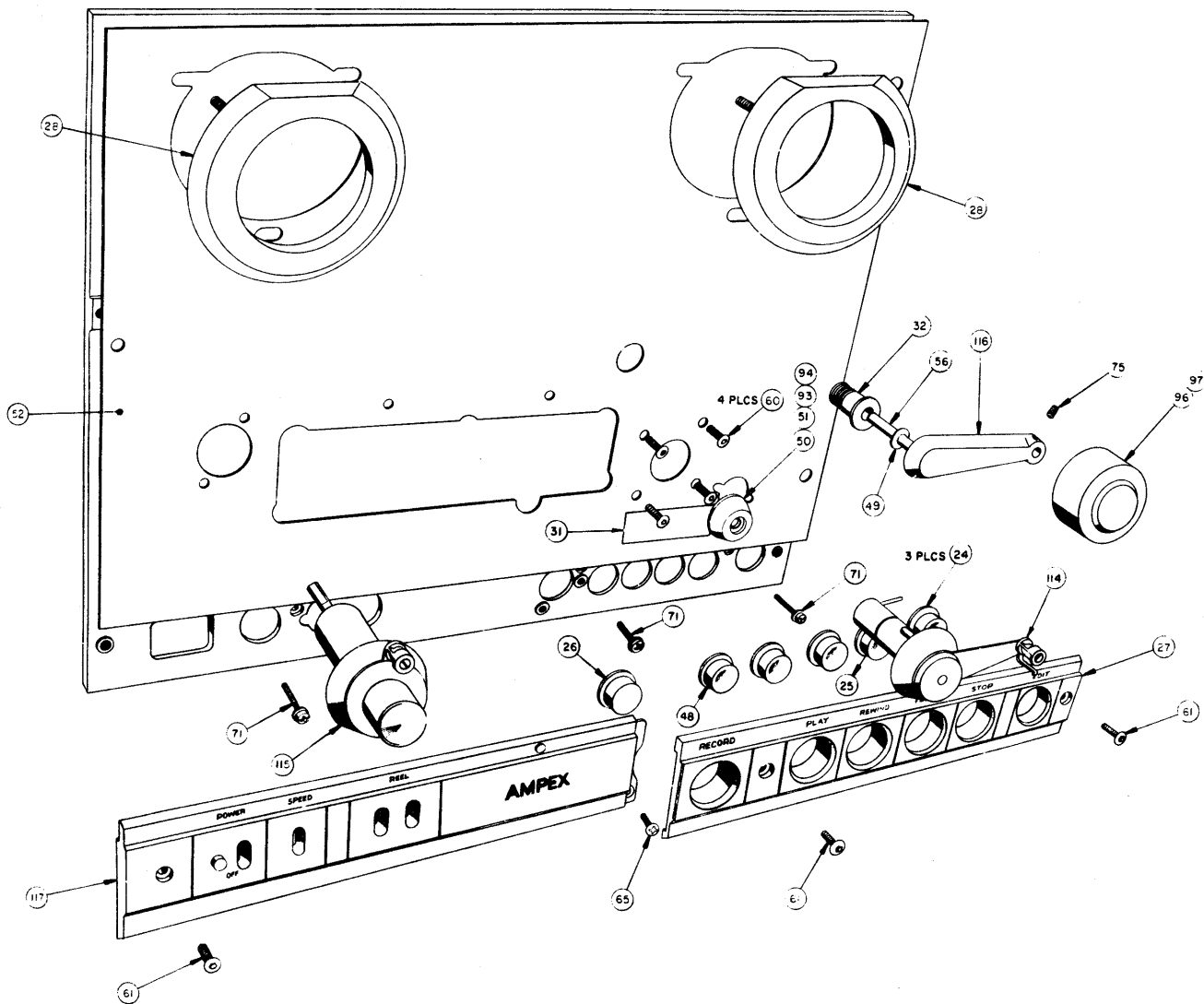
NEXT HIGHER ASSEMBLY NO. 4010202, 4010203, 4010204

ITEM NO.	AMPEX PART NO.	REFERENCE NUMBER	DESCRIPTION	JEDEC NO. OR MFR. PART NO.
6	4030259-03		TAPE LIFTER ASSY	
18	4040993-07		DRIVE MOTOR ASSY, 7-1/2 - 15 IPS, 60 HZ	
19	4040993-08		DRIVE MOTOR ASSY, 3-3/4 - 7-1/2 IPS, 60 HZ	
20	4040993-09		DRIVE MOTOR ASSY, 7-1/2 - 15 IPS, 50 HZ	
21	4040993-10		DRIVE MOTOR ASSY, 3-3/4 - 7-1/2 IPS, 50 HZ	
23	4050436-01		SAFETY SWITCH ASSY	
24	4100182-01		BUTTON, PUSH, WHITE	
25	4100182-02		BUTTON, PUSH, YELLOW	
26	4100182-03		BUTTON, PUSH, RED	
27	4110266-02		ESCUTCHEON, BUTTON, PUSH, RIGHT	
28	4110267-02		GUARD, REEL	
29	4130103-01		PAD, TOGGLE SWITCH	
30	4170184-01		SHIELD, SWITCH	
32	4200175-02		BUSHING, CAPSTAN IDLER	
33	4230160-10		ARM, SOLENOID	
34	4250202-01		FLYWHEEL, REEL IDLER	
36	4270117-01		SPRING, TAPE LIFTER SOLENOID	
37	4290641-01		SHIELD, DRIVE MOTOR, W/AC MOTOR	
38	4270252-02		SPRING, TAPE LIFTER RETURN	
41	4330255-01		PLATE, TAPE LIFTER SOLENOID MOUNTING	
42	4330256-01		PLATE, MOTOR CAPACITOR MOUNTING	
43	4330257-01		PLATE, CAPSTAN SOLENOID MOUNTING	
44	4400594-01		SCREW, MODIFIED	
45	4440113-10		WASHER, 0.315 X 0.005 THK	
46	4440113-20		WASHER, 0.315 X 0.010 THK	
47	4440113-50		WASHER, 0.315 X 0.003 THK	
48	4100182-04		BUTTON, PUSH, GREEN	
49	4440025-30		WASHER, LAMICOID, 0.015 THK	
50	4041143-01		DUST CAP ASSY, CAPSTAN, 7-1/2 - 15 IPS	
51	4041143-04		DUST CAP ASSY, CAPSTAN, 3-3/4 - 7-1/2 IPS	
52	4330254-02		FACING, TOP PLATE	
54	302-403		CLAMP, CABLE	
55	506-106		WASHER, "D", NO. 8	
58	302-007		CLAMP, CABLE, 1/4 ID	
59	406-005		PIN, "ROLLPIN", 0.028 WALL, 0.125 DIA X 0.75 LG	
60	470-423		SCREW, CAP, HEX SOC, BUTTON HD, NO. 10-24 X 5/8 LG	
61	470-427		SCREW, CAP, HEX SOC, BUTTON HD, NO. 6-32 X 3/8 LG	
62	473-123		SCREW, HEX HD, NO. 8-32 X 1/2 LG	
63	471-080		SCREW, PAN HD, XREC, NO. 8-32 X 1/2 LG	
64	471-081		SCREW, PAN HD, SREC, NO. 8-32 X 5/8 LG	

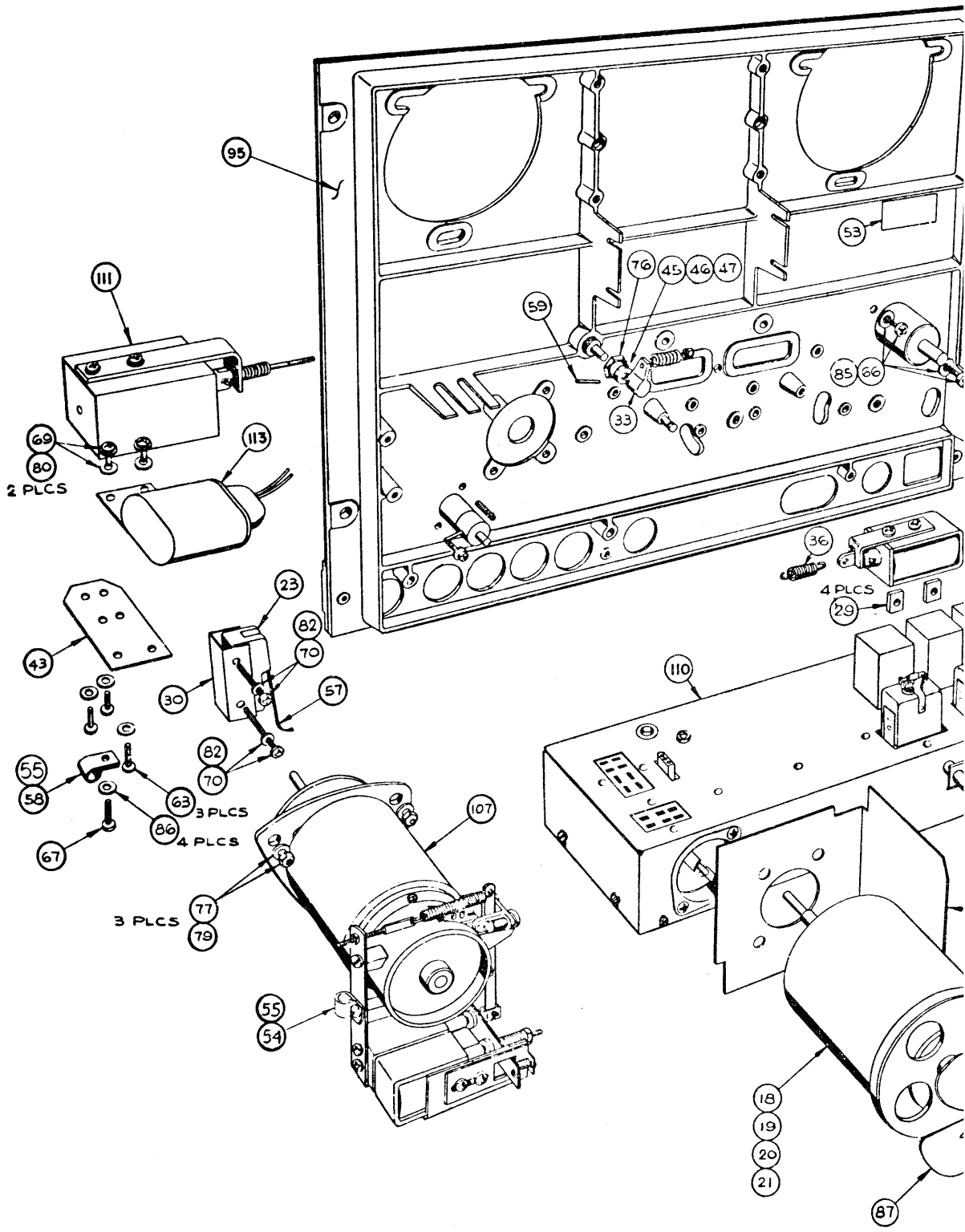
NEXT HIGHER ASSEMBLY NO. 4010202, 4010203, 4010204

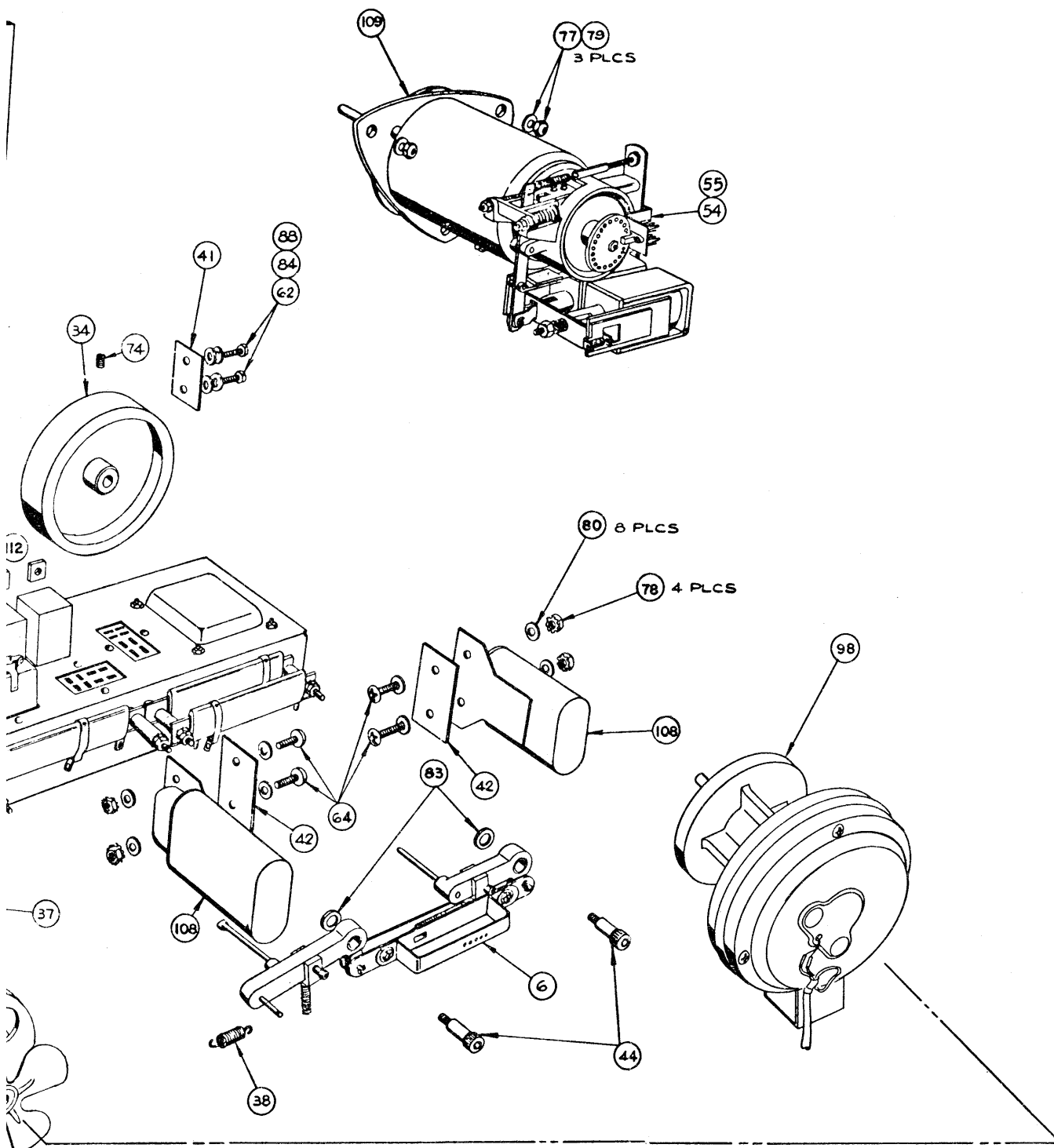
ITEM NO.	AMPEX PART NO.	REFERENCE NUMBER	DESCRIPTION	JEDEC NO. OR MFR. PART NO.
65	471-334		SCREW, FL HD, XREC, NO. 6-32 X 1/4 LG	
66	471-865		SCREW, PN HD, XREC, NO. 10-24 X 5/8 LG	
67	473-122		SCREW, PN HD, XREC, NO. 8-32 X 9/16 LG	
69	475-072		SCREW, PN HD, XREC, NO. 8-32 X 1/4 LG	
70	475-080		SCREW, PN HD, XREC, NO. 6-32 X 1-1/8 LG	
71	475-095		SCREW, PN HD, XREC, NO. 6-32 X 7/8 LG	
74	477-047		SCREW, SET, CUPPOINT, HEX SOC, NO. 10-32 X 1/4 LG	
75	477-115		SCREW, SET, CUPPOINT, HEX SOC, NO. 8-32 X 1/8 LG	
76	492-451		NUT, SELF-LOCKING, HEX, 5/8-18	
77	493-012		NUT, SELF-LOCKING, HEX, 1/4-20	
78	496-006		NUT, KEP, NO. 8-32	
79	501-006		WASHER, FLAT, 1/4	
80	501-010		WASHER, FLAT, NO. 8	
82	501-021		WASHER, FLAT, NO. 6	
83	501-908		WASHER, FLAT, NO. 10, 0.062 THK	
84	502-133		WASHER, LOCK SPRING, NO. 8	
85	502-016		WASHER, LOCK, FLAT, EXT TOOTH, NO. 10	
86	502-026		WASHER, LOCK, FLAT, INT TOOTH, NO. 8	
87	591-001		FAN, 5" DIA	
88	501-040		WASHER, FLAT, 0.171 ID X 0.375 OD X 0.062 THK	
93	4100198-02		DUST CAP, CAPSTAN, W/SERVO MOTOR	
94	477-426		SCREW, SET, CUP PT, HEX SOC, 4-40 X 3/32 LG	
95	4040990-04		TOP PLATE ASSEMBLY	
96	4030279-22		CAPSTAN IDLER ASSY, 7-1/2 - 15 IPS	
97	4030279-23		CAPSTAN IDLER ASSY, 3-3/4 - 7-1/2 IPS	
98	4020361-01		SERVO MOTOR ASSEMBLY, 3-3/4-30	
107	4030297-01		TAKEUP ASSY, GE MOTOR	
	4030297-02		TAKEUP ASSY, ASHLAND MOTOR	
	4030297-03		TAKEUP ASSY, TAKANAWA MOTOR	
108	4050361-10		CAPACITOR ASSY, 10 MFD	
	4050540-02		CAPACITOR ASSY, 5 MFD	
109	4030333-05		REWIND ASSY, GE MOTOR	
	4030333-06		REWIND ASSY, ASHLAND MOTOR	
	4030333-07		REWIND ASSY, TAKANAWA MOTOR	
110	4020338-03		CONTROL BOX ASSY	
111	4030272-04		SOLENOID ASSY, CAPSTAN IDLER	
112	4030273-03		SOLENOID ASSY, TAPE LIFTER	
113	4050586-01		CAPACITOR ASSY, CAPSTAN MOTOR, W/AC MOTOR	
114	4030322-01		TAKEUP TENSION ARM ASSY	
115	4040970-07		REEL IDLER ASSY	
116	4230131-01		ARM, CAPSTAN IDLER	
117	4040991-03		ESCUTCHEON ASSY	
119	4840261		SCHEMATIC, TRANSPORT	

VERSIONS: 4020271-13 THRU -17

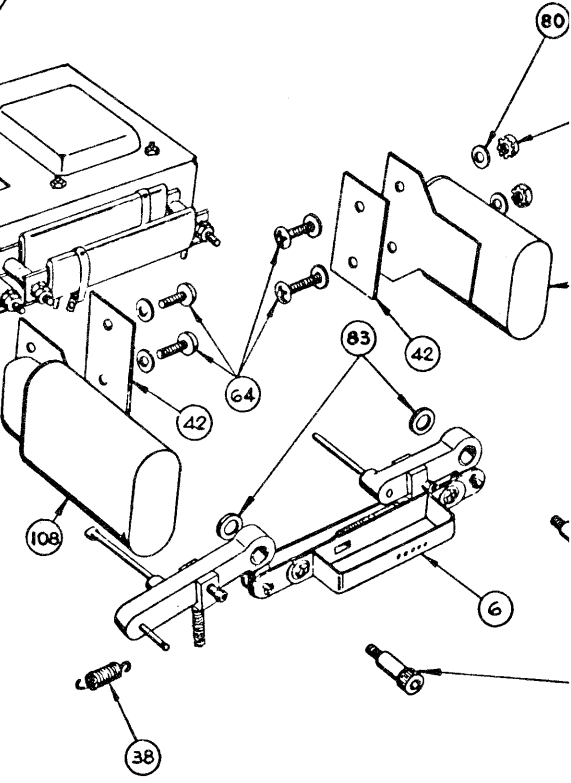
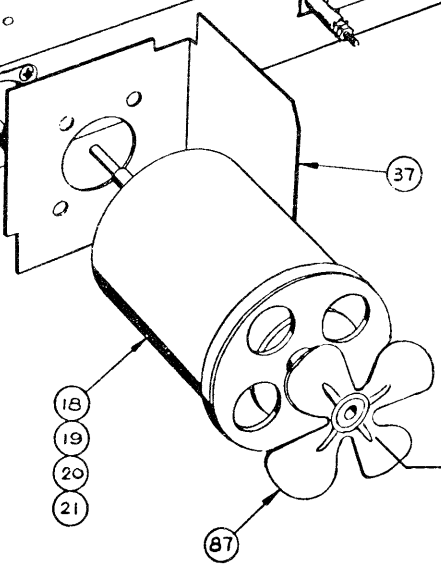
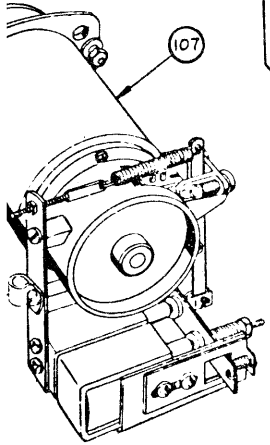
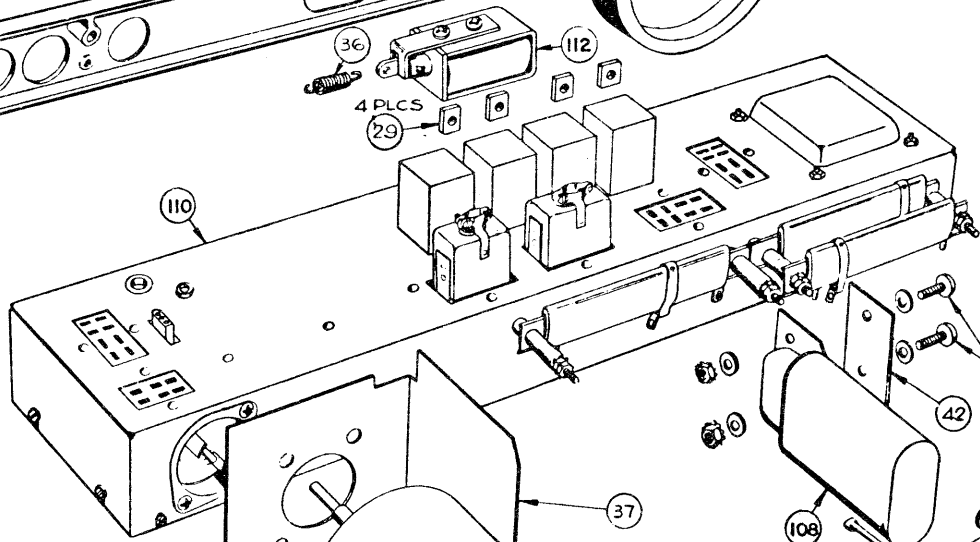
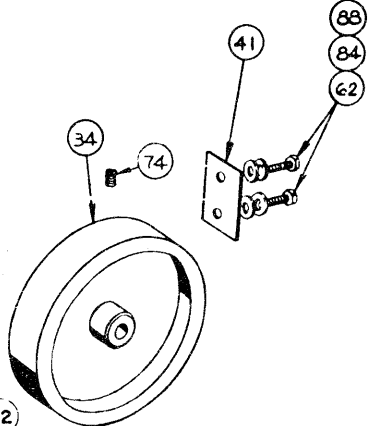
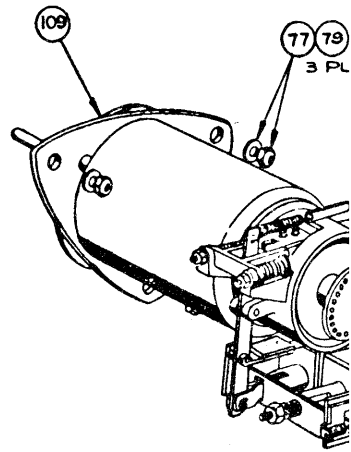
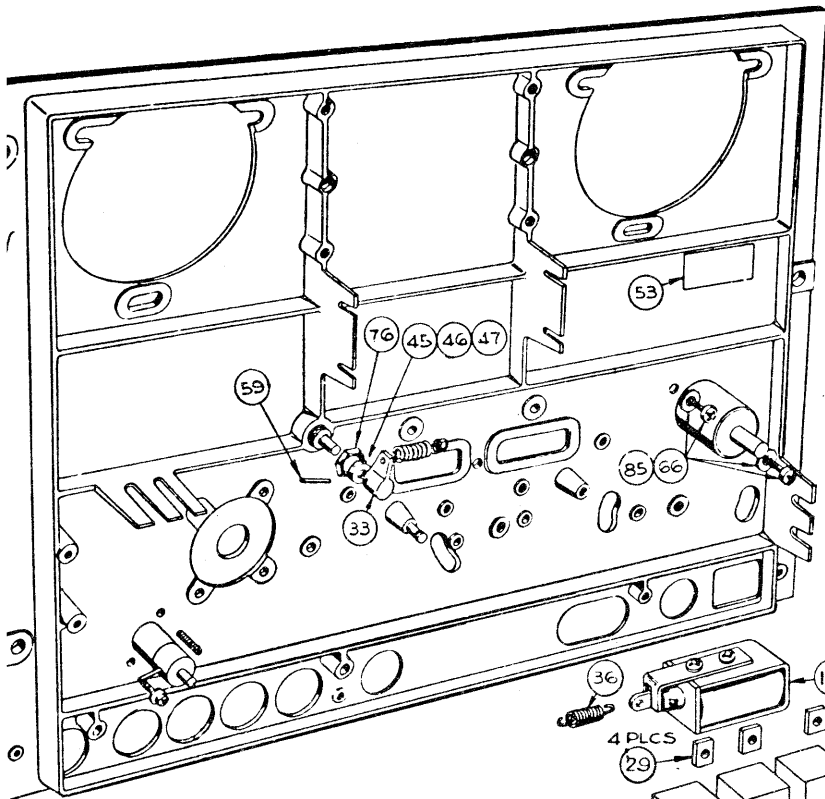


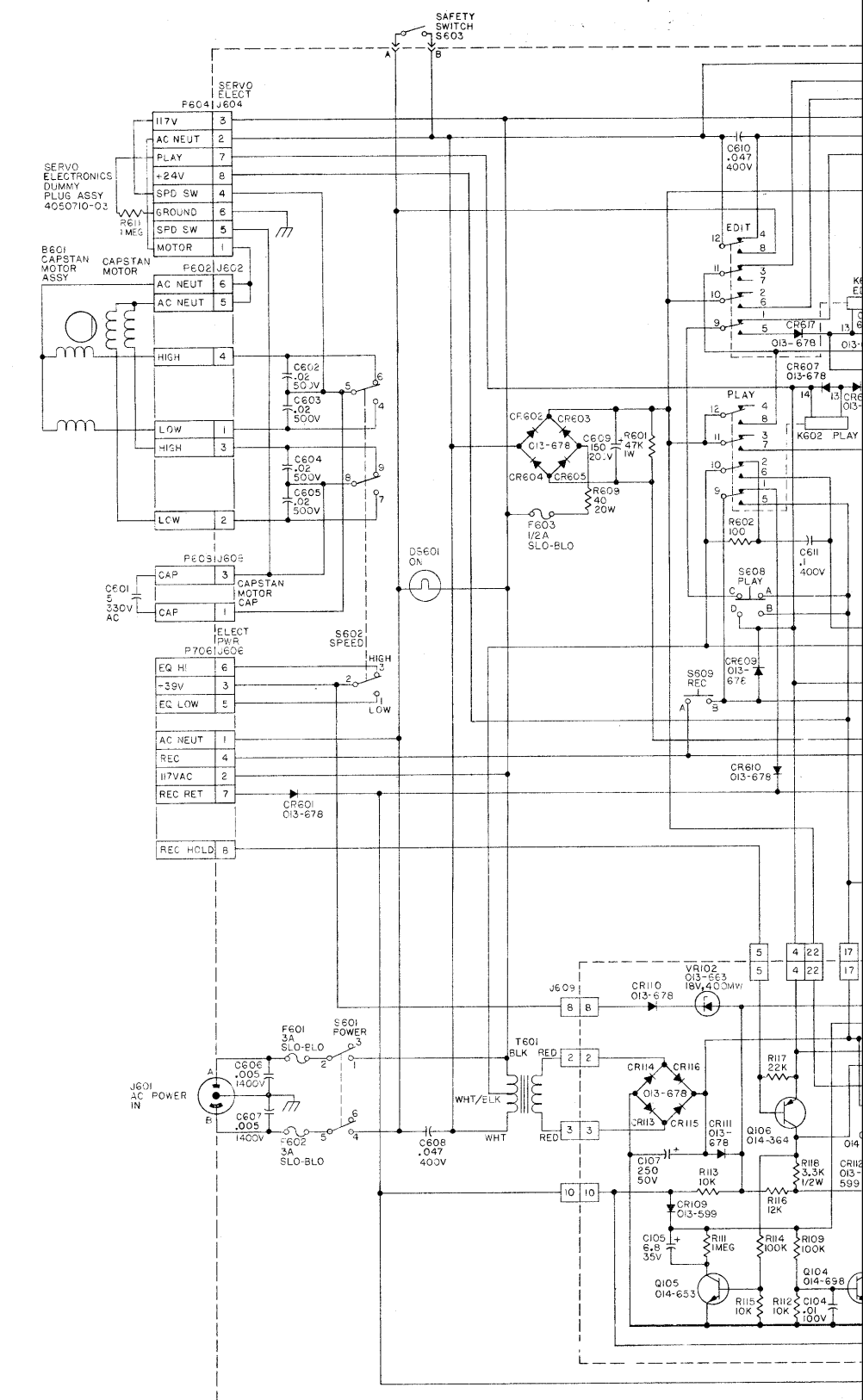
Assembly No. 4020271 (1 of 2), Tape Transport Assembly



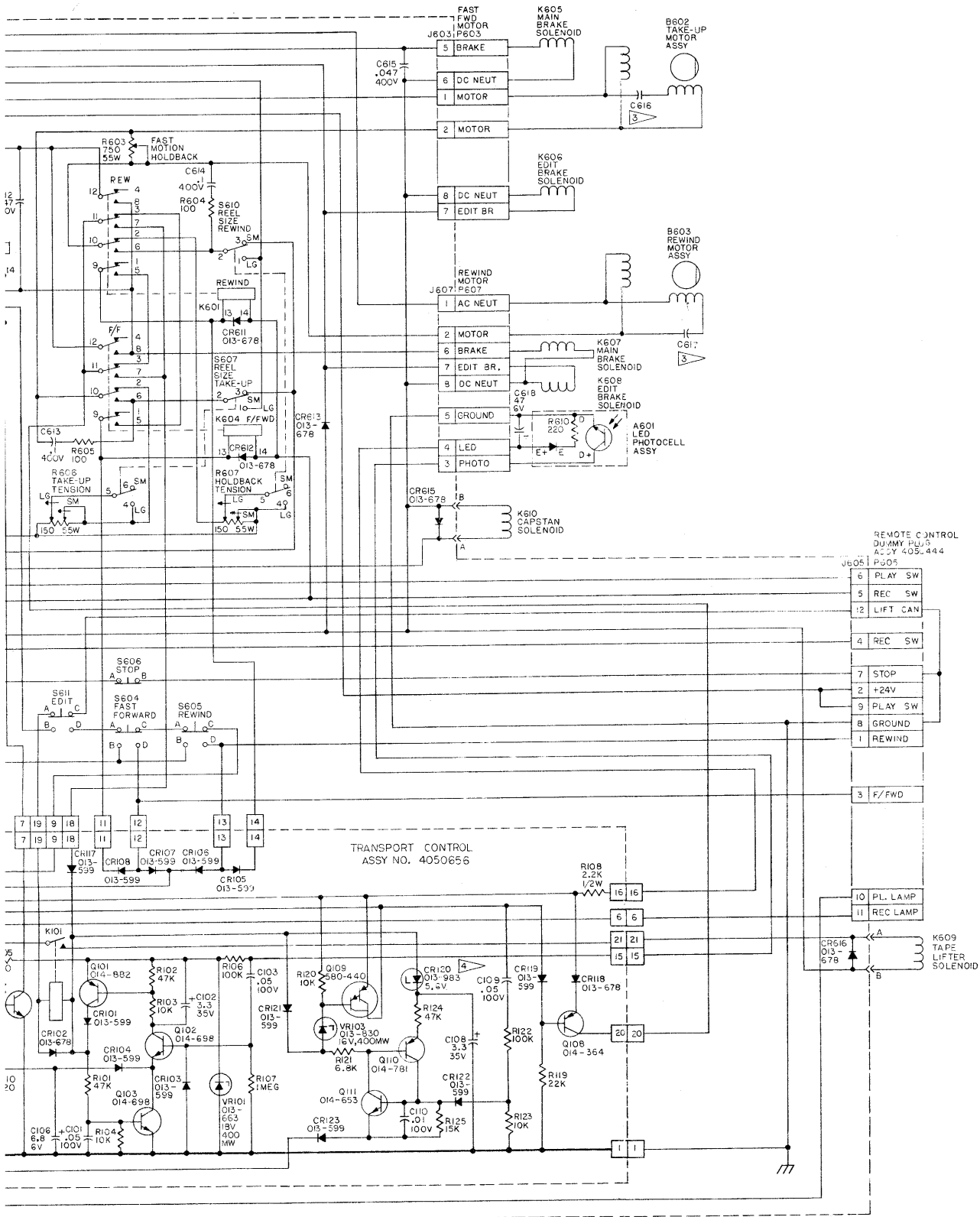


Assembly No. 402071 (2 of 2)
 Tape Transport Assembly



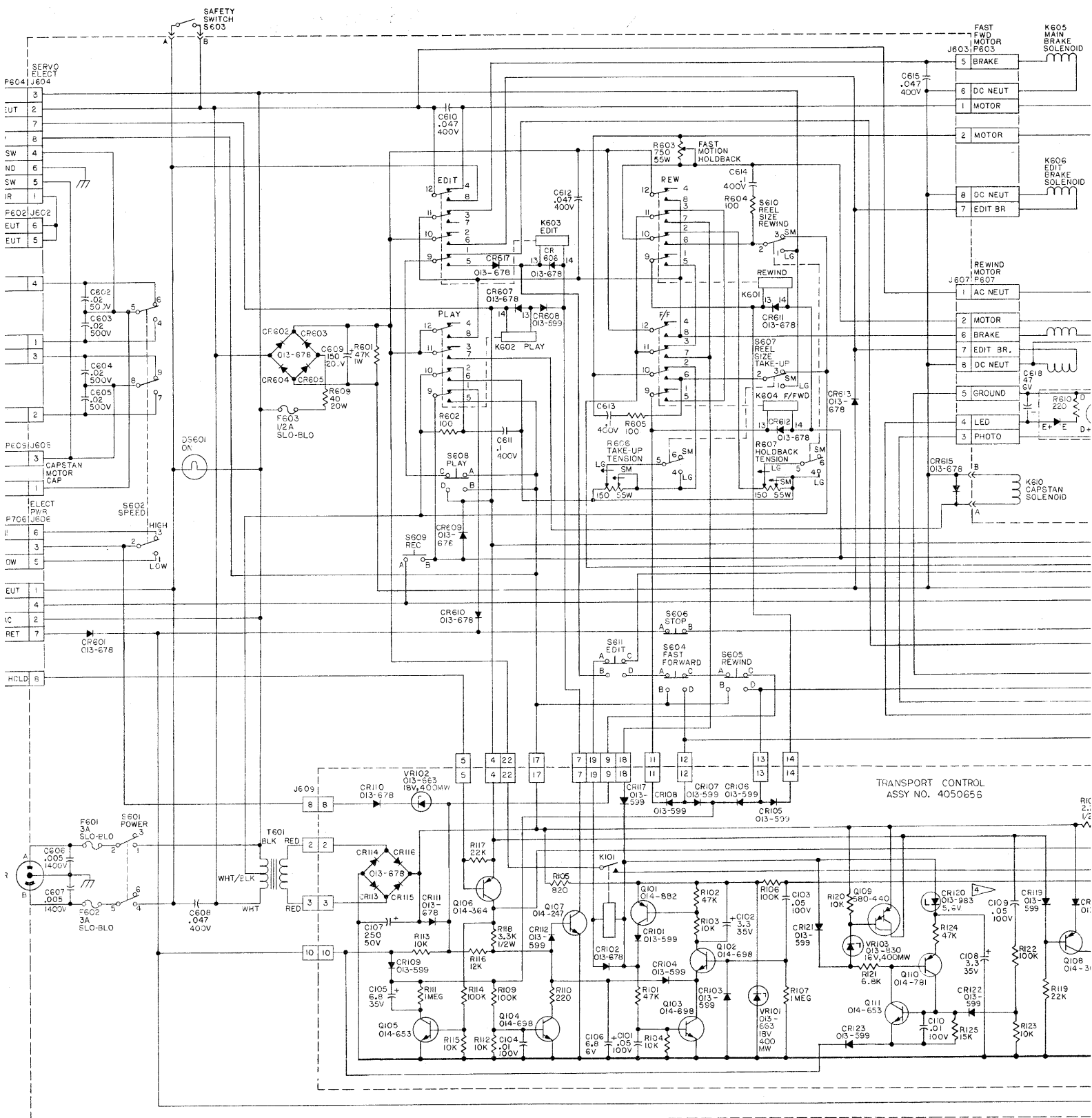


NOTES: UNLESS OTHERWISE SPECIFIED
 1 ALL RESISTOR VALUES ARE IN OHMS, 1/4W.
 2 ALL CAPACITOR VALUES ARE IN MICROFARADS.
 3 10MFD 236VAC EXCEPT 5MFD 300VAC WITH 4550107-30 MOTOR.
 4 FUNCTIONS AS A FORWARD BIASED DIODE



FIELD SERVICE REPLACEMENT LIST	REF. DES.	LAST REFERENCE	
AMPEX P/N	NEAREST COM'L EQUIV	NOT USED	DES. USED
014-781	MPS 6518	R608	CR617
014-247	2N2219	CR614	P608
014-364	2N2905A	P601, 6	R603
014-653	2N3904	P701-5	J609
014-698	2N3565		S611
014-882	2N3638A		C618
013-678	IN 4385		DS601
013-653	IN 957B		T601
013-599	IN 914		F603
013-983	IN 752		R611
013-830	IN 956B		K610
580-440	MPS-A 65		A601
			P706

Schematic No. 4840261
Tape Transport Assembly

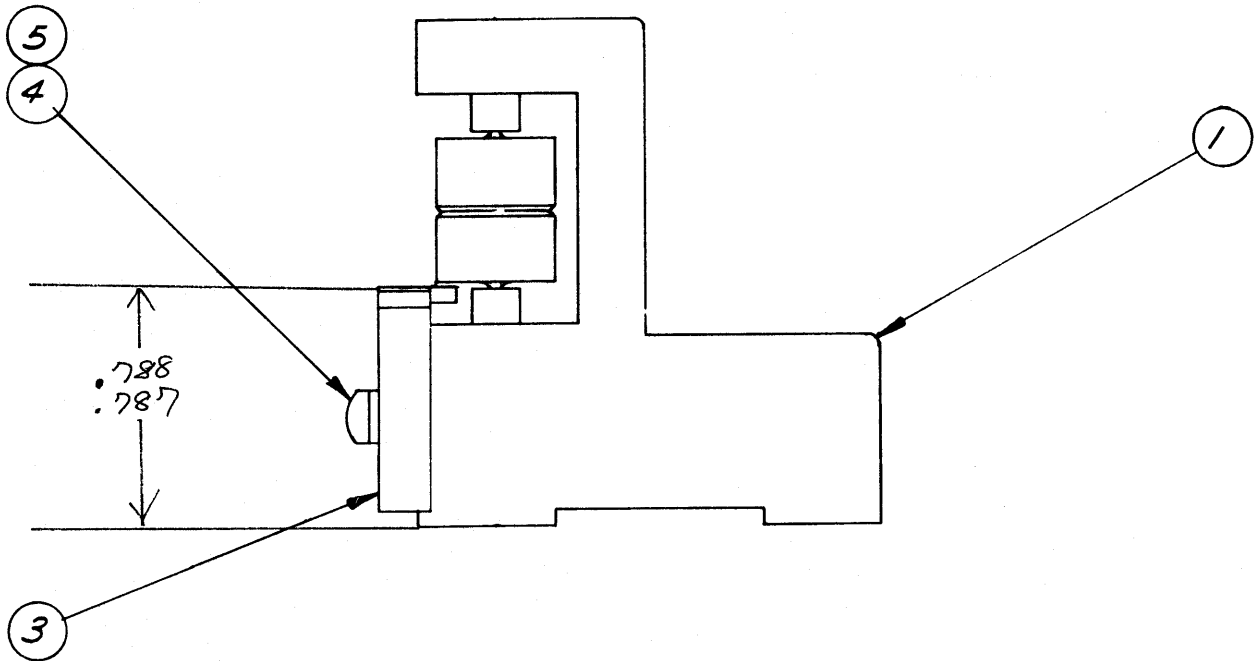


UNSPECIFIED
 ARE IN OHMS, 1/4 W.
 ARE IN MICROFARADS.
 5MFD 300VAC WITH
 D BIASED DIODE

FIELD SERVICE REPLACEMENT LIST	REF. DES. NOT USED	LAST REFERENCE DES. USED
AMPX P/N	NEAREST COM. EQUIV	
014-781	MPS 6518	CR617
014-247	2N2219	P608
014-364	2N2905A	R125
014-653	2N3904	R125
014-698	2N3565	J609
014-882	2N3638A	S611
013-678	IN 4385	C618
013-663	IN 967B	D5601
013-599	IN 914	T601
013-983	IN 752	F603
013-830	IN 966B	R611
580-440	MPS-A65	K610
		A601
		P706

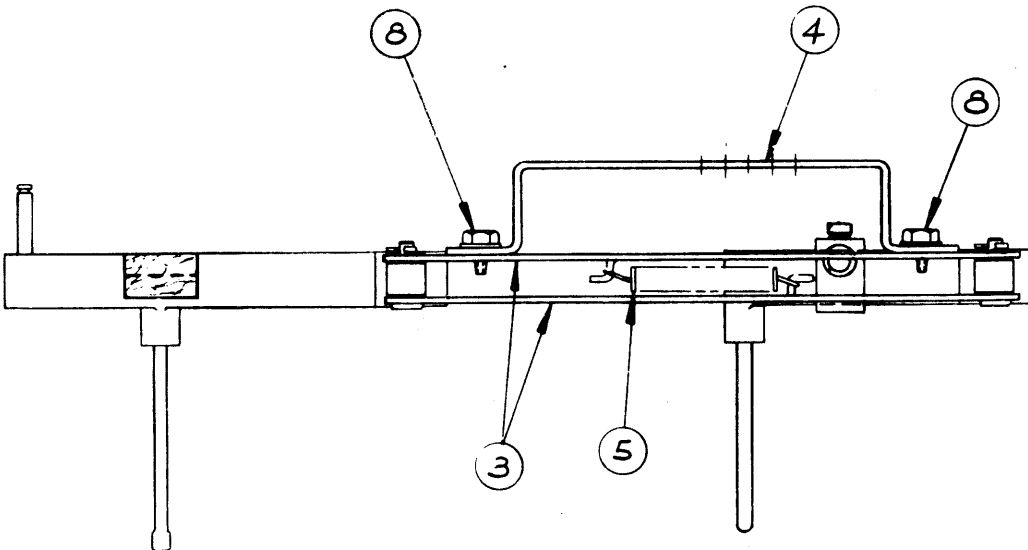
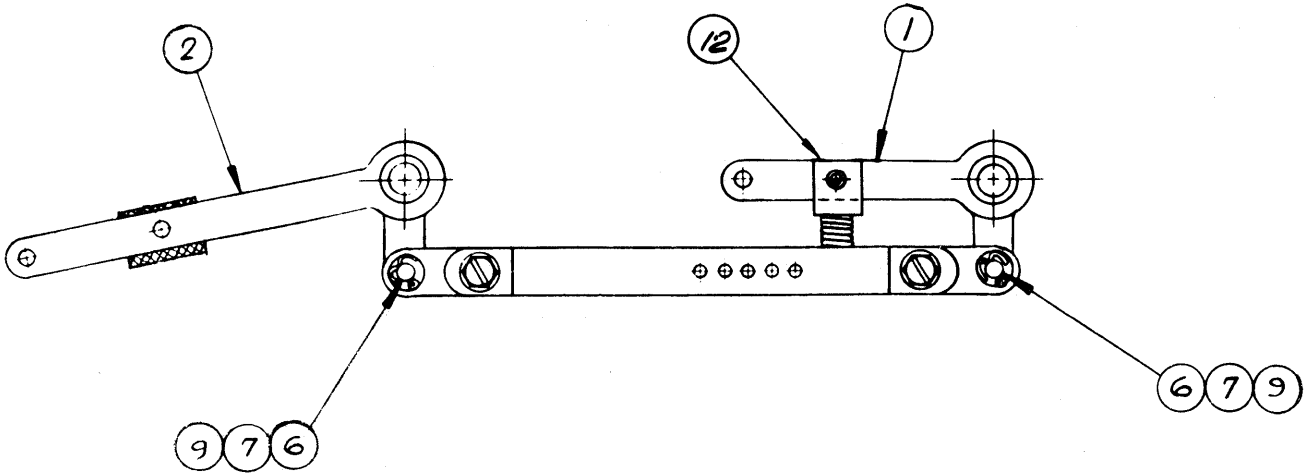
NEXT HIGHER ASSEMBLY NO. 4010202, 4010203, 4010204

ITEM NO.	AMPEX PART NO.	REFERENCE NUMBER	DESCRIPTION	JEDEC NO. OR MFR. PART NO.
1 3 4 5	4040955-03 4041156-01 472-113 502-001		IDLER ASSY, SCRAPE FLUTTER GUIDE ASSY, BOTTOM SCREW, MACH, PN HD, XREC, 2-56 X 0.25 LG WASHER, LOCK, SPRING, NO. 2 VERSION: 4041150-01	



NEXT HIGHER ASSEMBLY NO. 4020271

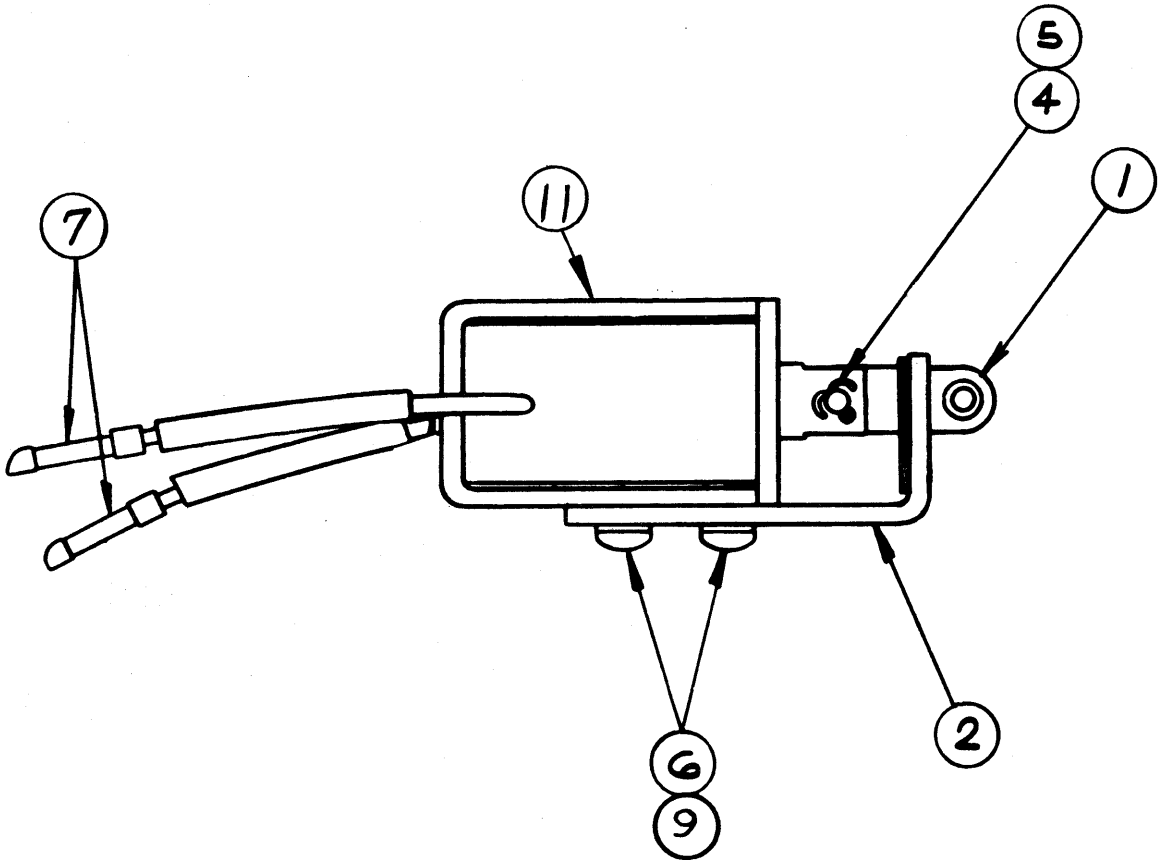
ITEM NO.	AMPEX PART NO.	REFERENCE NUMBER	DESCRIPTION	JEDEC NO. OR MFR. PART NO.
1	4040965-03		TAPE LIFTER, LEFT HAND	
2	4040966-03		TAPE LIFTER, RIGHT HAND	
3	4230244-01		LINK	
4	4260384-01		BRACKET	
5	4270254-01		SPRING	
6	400-005		PIN, STRAIGHT, HEADED, CLEVIS, 1/8 DIA	
7	401-005		PIN, COTTER, 1/16 DIA, 1/2 LG	
8	476-011		SCREW, SELF TAPPING, HEX HD, NO. 6 X 1/4	
9	501-008		WASHER, FLAT, NO. 4	
12	4030278-01		SPRING CLIP ASSY	



NEXT HIGHER ASSEMBLY NO. 4020271

ITEM NO.	AMPEX PART NO.	REFERENCE NUMBER	DESCRIPTION	JEDEC NO. OR MFR. PART NO.
1	4230242-01		LINK	
2	4260184-10		STOP	
4	400-007		PIN, STRAIGHT HEADED, 1/8 DIA	
5	401-005		PIN, COTTER, 1/16 DIA, 1/2 LG	
6	475-107		SCREW, PN HD, XREC, NO. 8-32 X 5/16	
7	171-008		CONNECTOR, SOLDERLESS	
9	501-010		WASHER, FLAT, NO. 8	
11	4590043-01		SOLENOID	

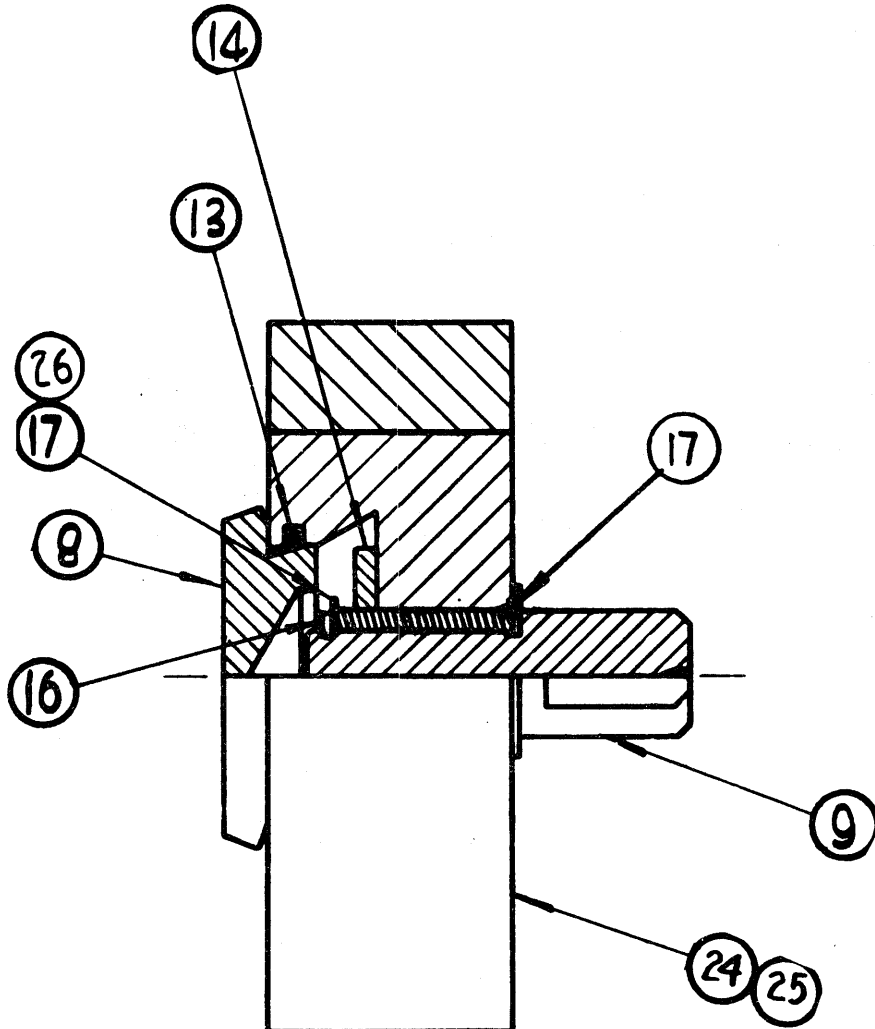
VERSION: 4030273-03



NEXT HIGHER ASSEMBLY NO. 4020271

ITEM NO.	AMPEX PART NO.	REFERENCE NUMBER	DESCRIPTION	JEDEC NO. OR MFR. PART NO.
8	4100166-10		CAP	
9	4210189-10		SHAFT, 1/4"	
13	4320112-10		RING, LOCK	
14	4440239-10		WASHER, FELT	
16	430-004		RING, RETAINING, 250 ID	
17	501-049		WASHER, FLAT, 0.002 THK	
24	4250198-02		PUCK ASSY, 7-1/2 - 15 IPS	
25	4250082-02		PUCK ASSY, 3-3/4 - 7-1/2 IPS	
26	501-689		WASHER, FLAT	

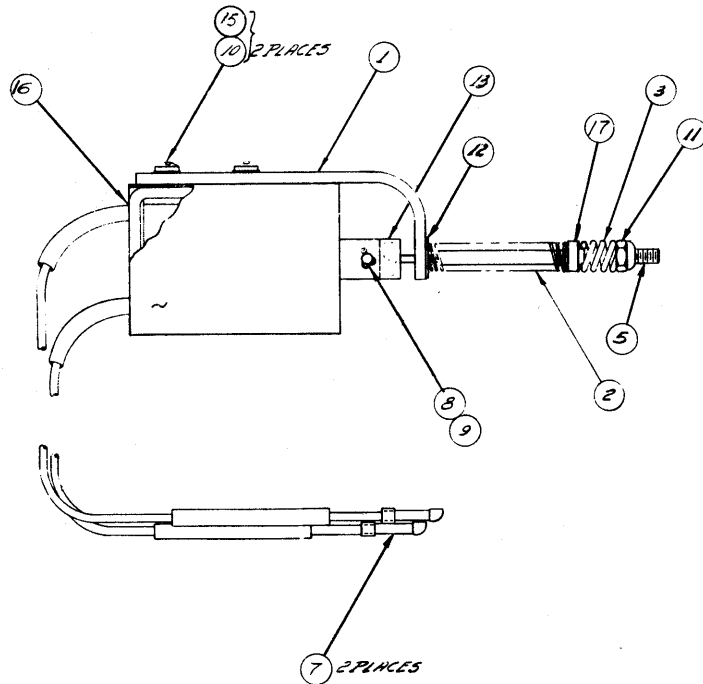
VERSION: 4030279-22 - 7-1/2 - 15 IPS
 4030279-23 - 3-3/4 - 7-1/2 IPS



NEXT HIGHER ASSEMBLY NO. 4020271

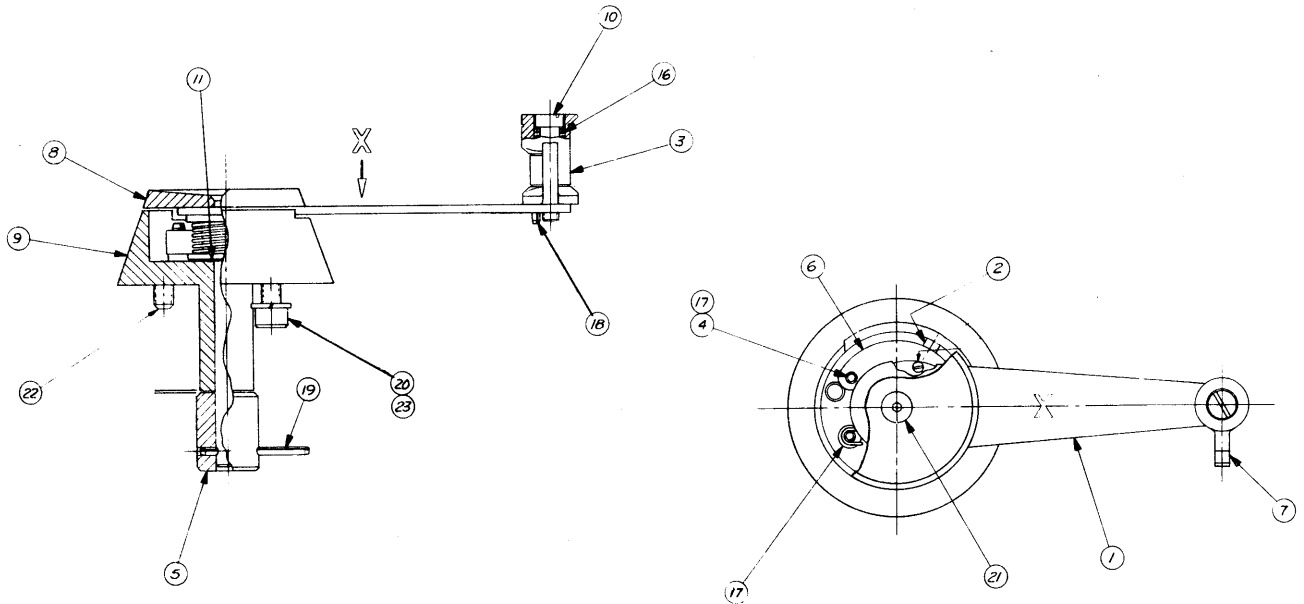
ITEM NO.	AMPEX PART NO.	REFERENCE NUMBER	DESCRIPTION	JEDEC NO. OR MFR. PART NO.
1	4220139-20		STOP, SOLENOID	
2	4270161-10		SPRING, SOLENOID RETURN	
3	4270118-01		SPRING, SOLENOID RETURN	
5	4400604-20		BOLT, EYE	
7	171-008		CONNECTOR, SOLDERLESS	
8	400-009		PIN, CLEVIS, 125 DIS X 17/32 LG	
9	401-005		PIN, COTTER, 0.062 DIA X 1/2 LG	
10	475-092		SCREW, NO. 8-32 X 3/8 LG	
11	493-008		NUT, SELF-LOCKING, NO. 10-32	
12	501-037		WASHER, FLAT, NO. 1/4	
13	503-015		WASHER, FELT, NO. 1/4 ID X 1/4 THK	
15	501-010		WASHER, FLAT, NO. 8	
16	4041071-02		SOLENOID ASSY	
17	4440316-01		WASHER, SPRING CENTERING	

VERSION: 4030272-04



ITEM NO.	AMPEX PART NO.	REFERENCE NUMBER	DESCRIPTION	JEDEC NO. OR MFR. PART NO.
1	4040973-04		ARM ASSY, TAKEUP TENSION	
2	4210161-03		PIN, DAMPER	
3	4210310-03		TAPE GUIDE, TENSION ARM	
4	4220097-01		SPACER, TENSION ARM	
5	4220138-10		COLLAR, SHAFT	
6	4220138-01		CAM, TAKE-UP TENSION ARM	
7	4230158-20		HOOK, TAPE GUIDE	
8	4250193-01		CAP, TAKEUP TENSION ARM	
9	4330288-01		BASE, TAKEUP TENSION ARM	
10	4400593-02		SCREW, TAPE GUIDE MOUNTING	
11	4440235-10		SHIM, BRASS, TAKEUP TENSION ARM	
16	352-084		SPRING, COMPRESSION	
17	406-026		PIN, SPRING, .094 DIA X .500 LG	
18	406-058		PIN, SPRING, 0.062 DIA X 0.250 LG	
19	408-071		PIN, SPRING, 0.062 DIA X 0.875 LG	
20	470-028		SCREW, CAP, HEX SOCKET, 8-32 X 0.438 LG	
21	471-598		SCREW, CAP, FL HD, HEX SOCKET, 4-40 X 0.250 LG	
22	477-478		SCREW, SET, HEX SOCKET, FLAT PT, 8-32 X 0.38 LG	
23	502-004		WASHER, LOCK, HELICAL SPRING, NO. 8	

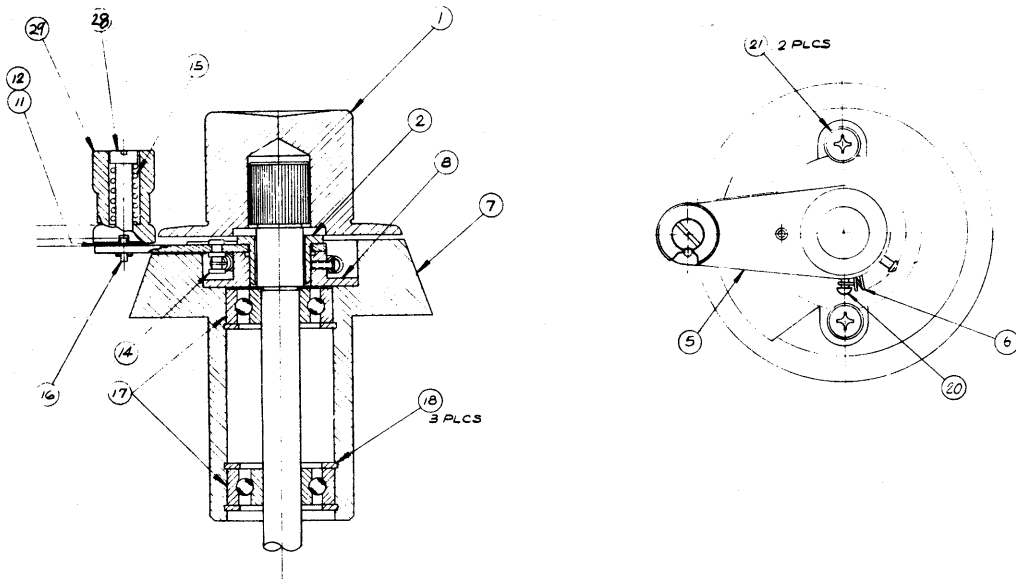
VERSION: 4030322-01



NEXT HIGHER ASSEMBLY NO. 4020271

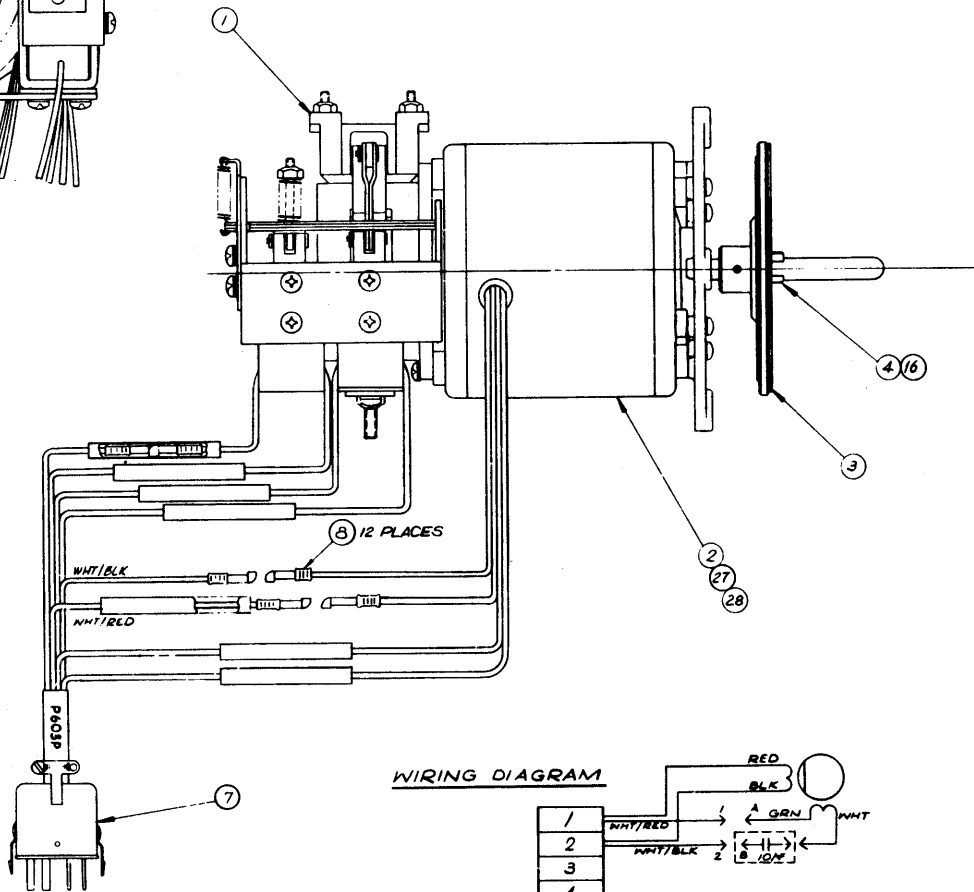
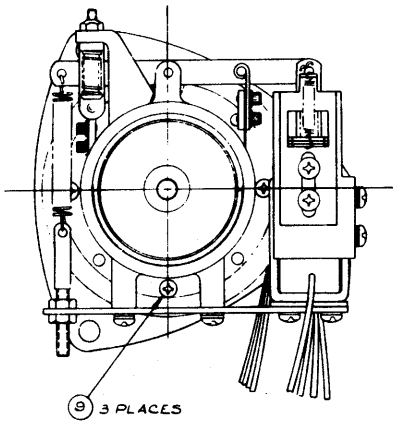
ITEM NO.	AMPEX PART NO.	REFERENCE NUMBER	DESCRIPTION	JEDEC NO. OR MFR. PART NO.
1	4040408-80		PULLEY ASSY	
2	4200121-10		BUSHING	
5	4230245-01		ARM, REEL IDLER	
6	4270160-20		SPRING, TENSION ARM	
7	4290272-10		HOUSING, REEL IDLER	
8	4290273-10		MOUNT, REEL IDLER	
11	4440282-01		WASHER, 0.008 THK	
12	4440282-02		WASHER, 0.025 THK	
14	173-251		TERMINAL, TURRET	
15	352-084		SPRING, COMPRESSION	
16	406-272		PIN, SPRING, 0.012 WALL, 0.062 DIA	
17	421-116		BEARING, BALL, 0.3150 BORE X 8661 OD	
18	430-027		RING, RETRAINING, INTERNAL, 0.866"	
20	474-004		SCREW, DRIVE "U" ROUND HD, NO. 0 X 3/16	
21	475-081		SCREW, PN HD, PHILL, NO. 6-32 X 1/4	
28	4400593-02		SCREW, TAPE GUIDE, MOUNTING	
29	4210311-02		TAPE GUIDE, REEL IDLER	

VERSION: 4040970-07

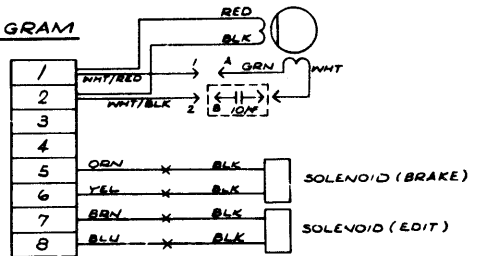


NEXT HIGHER ASSEMBLY NO. 4020271

ITEM NO.	AMPEX PART NO.	REFERENCE NUMBER	DESCRIPTION	JEDEC NO. OR MFR. PART NO.
1	4030264-03		BRAKE ASSY	
2	4040768-02		MOTOR ASSY, GE	
3	4130163-02		PAD, TURNTABLE	
4	4320128-10		PLATE, DRIVE	
7	145-013		CONNECTOR, RECT, PLUG, 8 PINS	
8	171-008		CONNECTOR, SOLDERLESS, KNIFE	
9	475-098		SCREW, PN HD, XREC, NO. 6-32 X 1/2 LG	
16	470-382		SCREW, BUTTON HD, NO. 4-40 X 3/16	
27	4040768-04		MOTOR ASSY, ASHLAND	
28	4040768-08		MOTOR ASSY, TAKANAWA	
<p>VERSIONS: 4030297-01 GENERAL ELECTRIC 4030297-02 ASHLAND 4030297-03 TAKANAWA</p>				



WIRING DIAGRAM



TAKE-UP CONNECTIONS
CONNECT KNIFE CONNECTOR (ITEM 8)
1 TO B
2 TO A

Assembly No. 4030297, Takeup Assembly

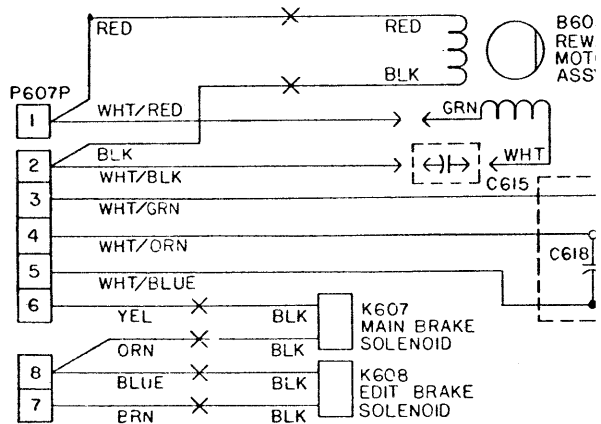
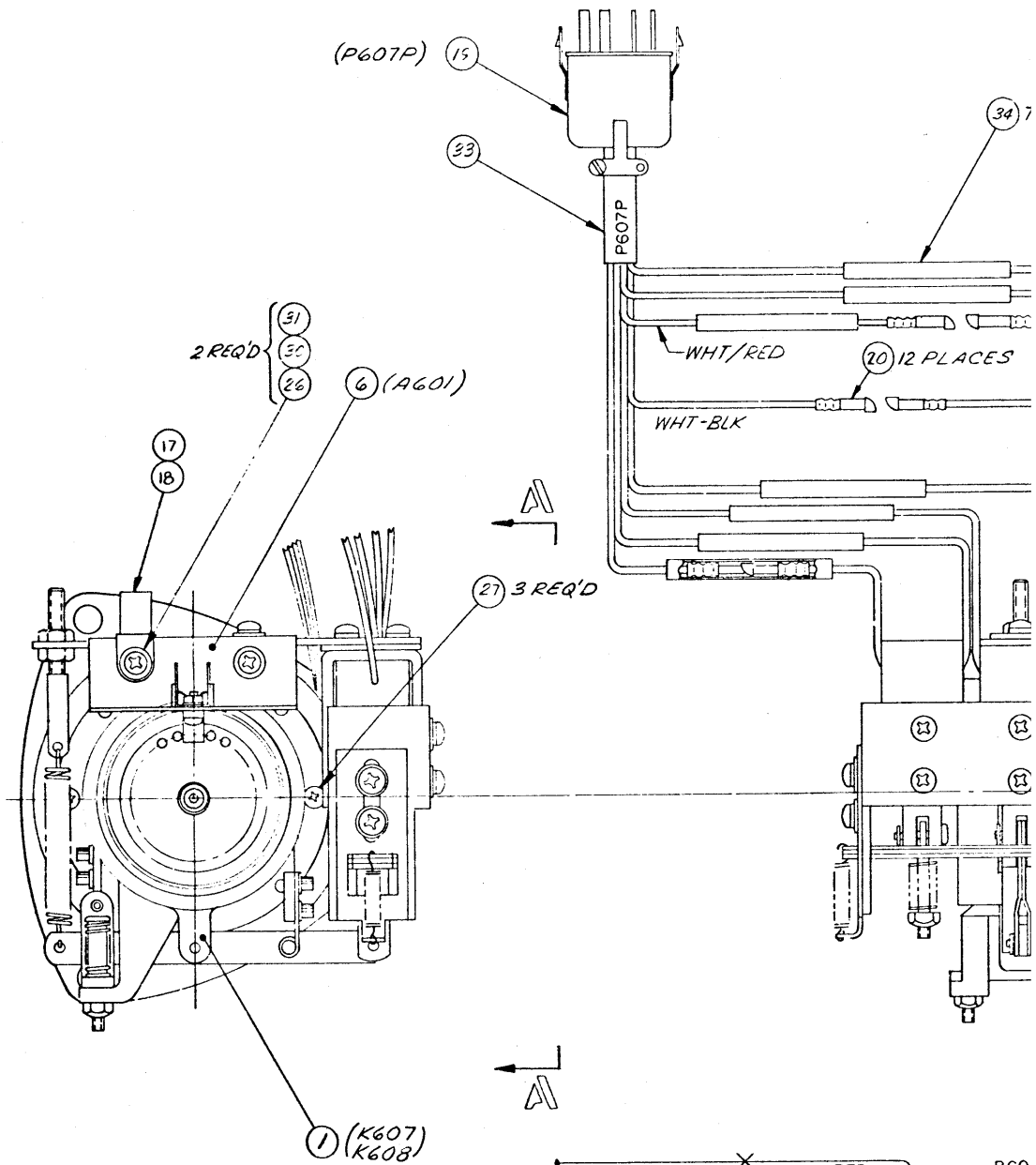
NEXT HIGHER ASSEMBLY NO. 4030297, 4030333

ITEM NO.	AMPEX PART NO.	REFERENCE NUMBER	DESCRIPTION	JEDEC NO. OR MFR. PART NO.
1	4040414-10		BAND ASSY	
2	4220141-10		SPACER	
3	4230161-10		LINK, BRAKE BAND	
4	4230162-10		LEVER, BRAKE	
5	4230163-10		LINK, SOLENOID	
6	4260183-10		BRACKET, SOLENOID	
7	4260386-03		BRACKET, EDIT SOLENOID, TAKEUP	
8	4260386-04		BRACKET, EDIT SOLENOID, REWIND	
9	4270163-10		SPRING, COMPRESSION	
10	4270164-10		SPRING, LEAF	
11	4270178-10		SPRING, BRAKE	
12	4270251-01		SPRING, EDIT BRAKE RETURN	
13	352-085		SPRING, COMPRESSION	
14	4330109-10		CROSS HEAD, BRAKE	
15	4330110-10		ANCHOR BRAKE	
16	4330112-30		HOUSING, BRAKE	
17	4330113-10		CLAMP, BAND LINK	
18	4041068-01		STOP, PLATE ASSY	
19	4330260-01		ANCHOR, SPRING EDIT SOLENOID	
20	4400496-60		BOLT, SPADE	
21	4041070-01		SOLENOID ASSY	
22	171-008		CONNECTOR, SOLDERLESS KNIFE DISCONNECT	
23	400-002		PIN, STRAIGHT HEADED CLEVIS, 1/8 DIS X 9/32	
24	400-007		PIN, STRAIGHT HEADED, 1/8 DIS X 15/32	
25	401-005		PIN, COTTER, 1/16 DIA X 1/2 LG	
26	403-008		PIN, "DRIVE-LOK", TYPE C, 1/8 DIA X 1/2 LG	
27	406-042		PIN, "ROLLPIN", 1/8 DIA X 7/8 LG	
28	470-007		SCREW, CAP, HEX SOCKET, NO. 4-40 X 3/16	
29	475-088		SCREW, SEMS, PN HD, PHILL, NO. 8-32 X 5/16	
30	472-890		SCREW, MACH, FL HD, PHILL, NO. 6-32 X 1-3/8	
31	475-072		SCREW, PN HD, PHILL, INT TOOTH, NO. 8-32 X 1/4	
32	475-085		SCREW, PN HD, PHILL, INT TOOTH, NO. 6-32 X 5/16	
33	475-102		SCREW, PN HD, PHILL, EXT TOOTH, NO. 8-32 X 1/2	
34	480-010		BOLT, SPADE, NO. 8-32 X 1	
35	492-011		NUT, PLAIN, HEX, NO. 10-32	
36	493-006		NUT, SELF-LOCKING, HEX, 6-32	
37	493-007		NUT, SELF-LOCKING, HEX, 8-32	
38	501-010		WASHER, FLAT, NO. 8	
39	502-002		WASHER, LOCK SPRING, NO. 4	
42	506-001		WASHER, FINISHING, COUNTERSUNK, NO. 6	
44	4130051-01		PAD, DAMPER	

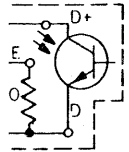
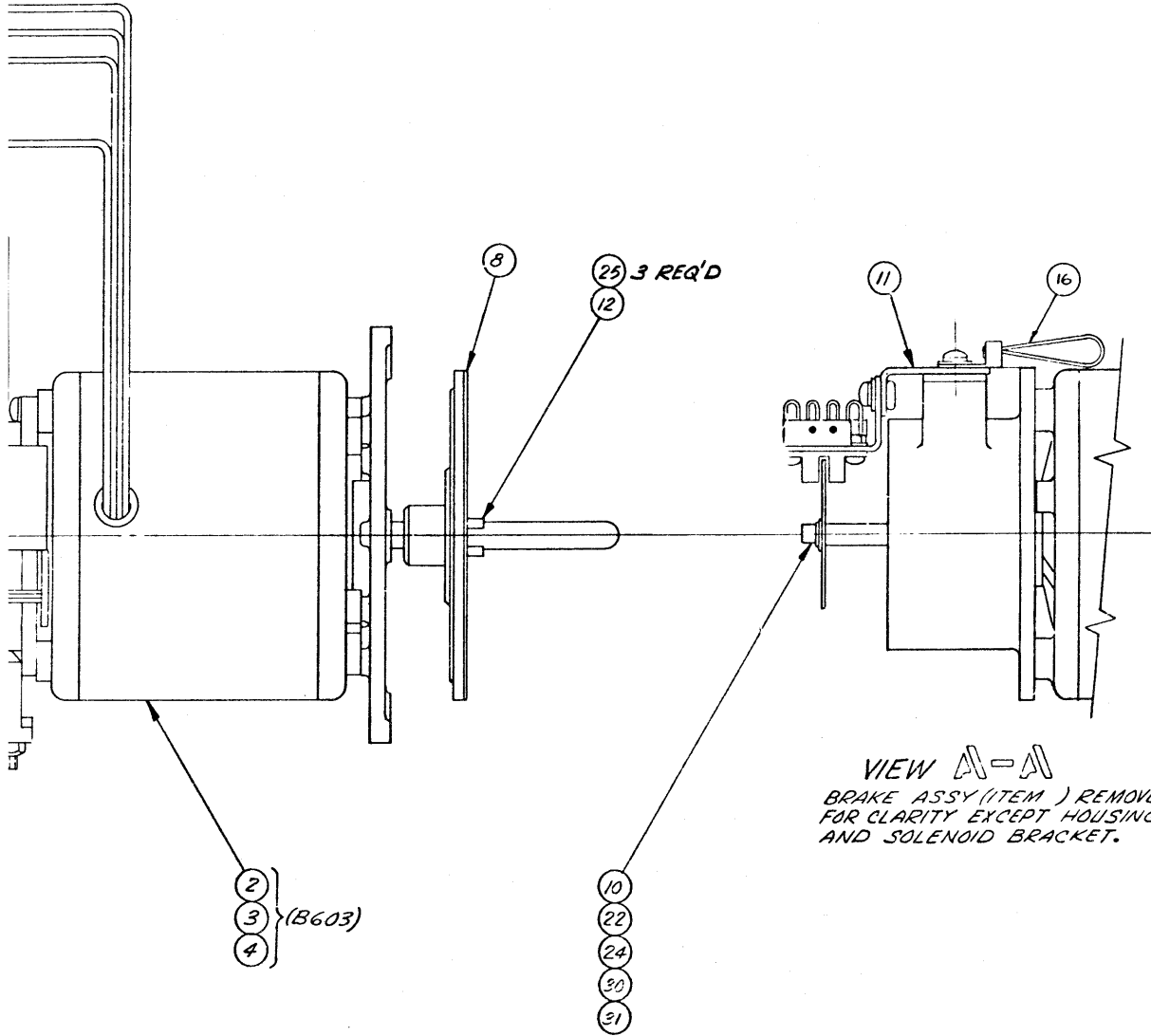
VERSION: 4030264-03 TAKEUP
4030264-04 REWIND

NEXT HIGHER ASSEMBLY NO. 4020271

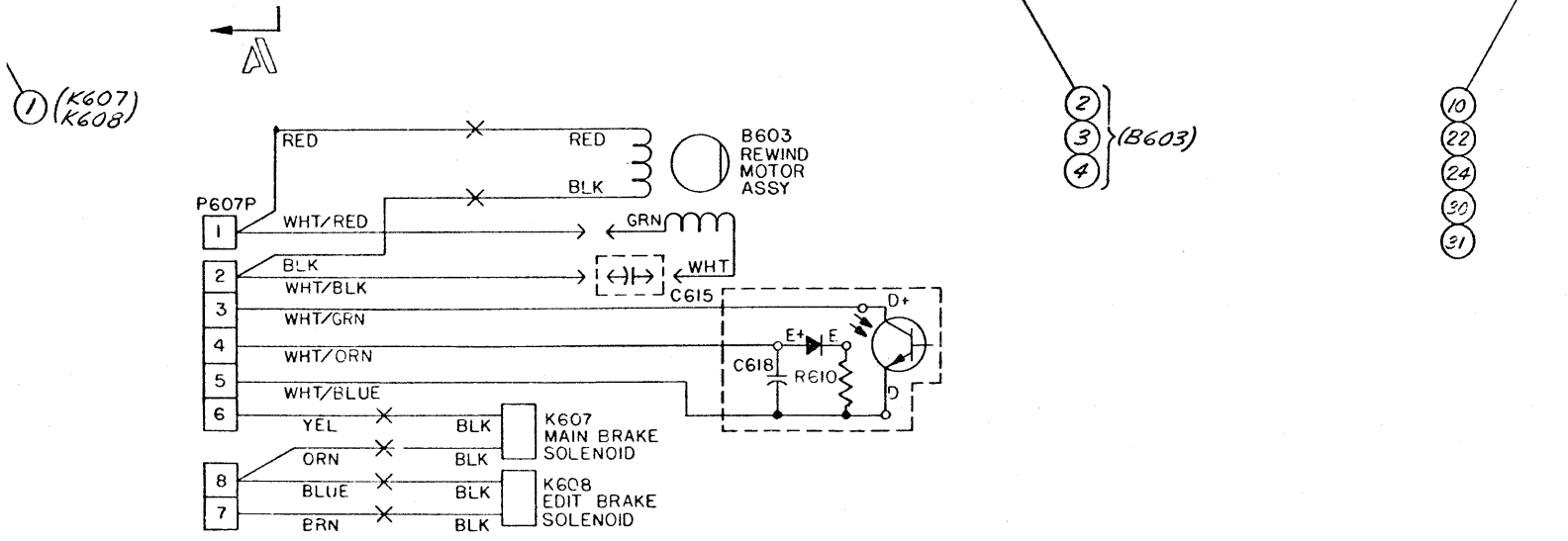
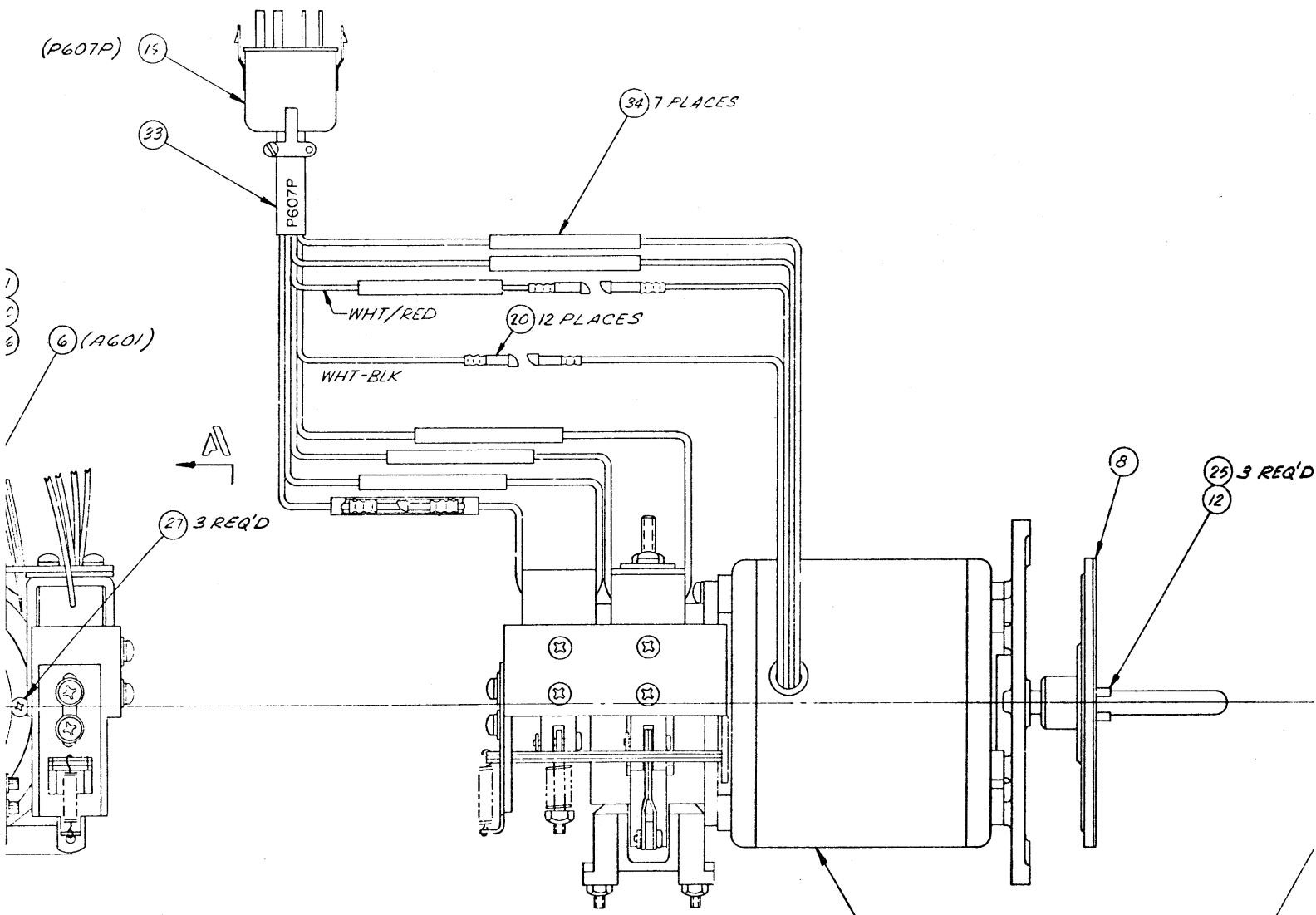
ITEM NO.	AMPEX PART NO.	REFERENCE NUMBER	DESCRIPTION	JEDEC NO. OR MFR. PART NO.
1	4030264-04	K607, K608	BRAKE ASSY	
2	4041166-01	B603	MOTOR ASSY, REWIND, GE MOTOR	
3	4041166-02	B603	MOTOR ASSY, REWIND, ASHLAND MOTOR	
4	4041166-03	B603	MOTOR ASSY, REWIND, TAKANAWA MOTOR	
6	4050587-02	A601	MOTION SENSOR ASSY	
8	4130163-02		PAD, TURNTABLE	
10	4250081-01		DISC, MOTION SENSOR	
11	4260433-01		BRACKET, MOTION SENSOR	
12	4320128-10		PLATE, DRIVE	
16	302-365		STRAP, CABLE	
17	302-007		CLAMP, LOOP, OFFSET	
18	506-013		WASHER, "D"	
19	145-013	P607P	CONNECTOR, RECT PLUG, 8 PINS	
20	171-008		TERMINAL, QUICK DISCONNECT, SPLICE	
22	280-040		SPACER, THD, PLAIN, 6-32 X 0.75 LG, 0.250 AF	
24	470-024		SCREW, CAP, HEX SOC, 6-32 X 1.00 LG	
25	470-382		SCREW, CAP, BUTTON HD, 4-40 X 0.19 LG	
26	471-069		SCREW, MACH, PN HD, XREC, 6-32 X 0.38 LG	
27	473-331		SCREW, MACH ASSY WASHER, PN HD, XREC, 6-32 X 0.50 LG	
30	501-009		WASHER, PLAIN, 0.156 ID	
31	502-003		WASHER, LOCK, SPRING, 0.141 ID	
			VERSION: 4030333-05 GENERAL ELECTRIC 4030333-06 ASHLAND 4030333-07 TAKANAWA	



WIRING DIAGRAM



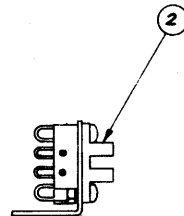
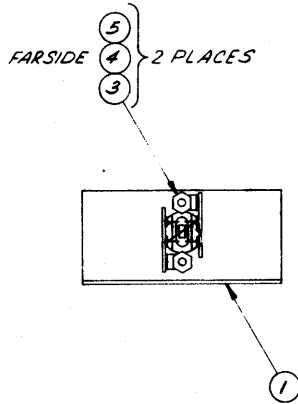
Assembly No. 4030333
Rewind Assembly



WIRING DIAGRAM

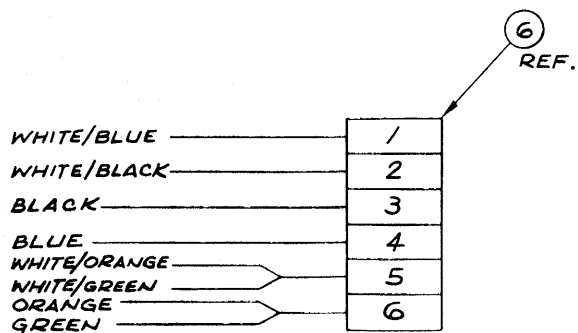
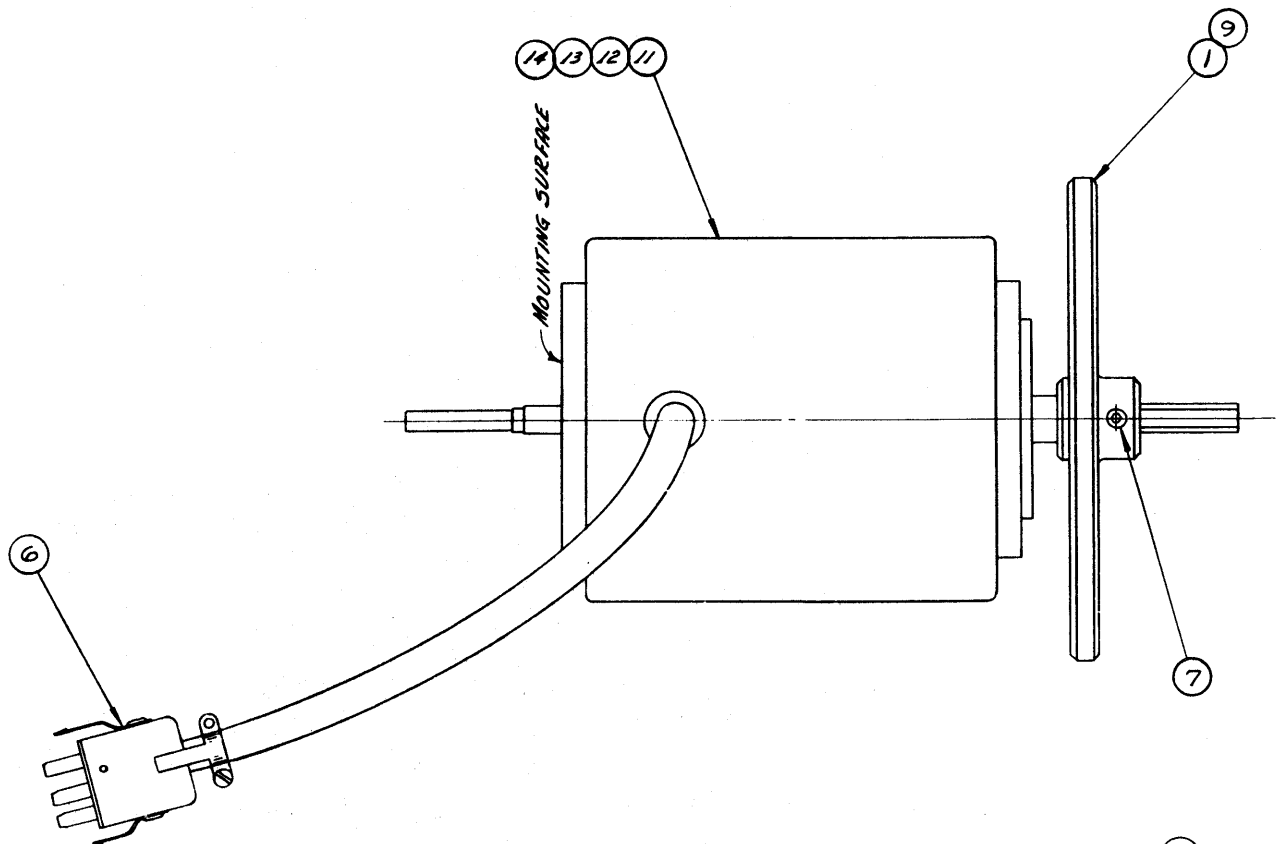
NEXT HIGHER ASSEMBLY NO. 4030333

ITEM NO.	AMPEX PART NO.	REFERENCE NUMBER	DESCRIPTION	JEDEC NO. OR MFR. PART NO.
1	4330287-01		BASE, MOUNTING PHOTOCELL	
2	581-264		ISOLATOR, OPTICALLY COUPLED	
3	180-272		STRIP, TERMINAL	
4	471-062		SCREW, MACH, PN HD, 4-40 X 0.38 LG	
5	496-004		NUT, LOCKING, HEX, NO. 4	
7	037-298	C618	CAPACITOR, ELECT, 47 MFD, 6V	
8	495-517	R610	RESISTOR, COMP, 220 OHM, 1/4W, 10%	
VERSION: 4050587-02				



NEXT HIGHER ASSEMBLY NO. 4020271

ITEM NO.	AMPEX PART NO.	REFERENCE NUMBER	DESCRIPTION	JEDEC NO. OR MFR. PART NO.
1	4250113-10		FLYWHEEL, 60 HZ	
6	145-012		CONNECTOR, RECT PLUG, 6 PIN	
7	477-336		SCREW, HEX SOC, CUP PT SET, NO. 10-32 X 1/4 LG	
9	4250114-10		FLYWHEEL, 50 HZ	
11	4590120-03		MOTOR, DRIVE, 60 HZ, 7-1/2 - 15 IPS	
12	4590120-04		MOTOR, DRIVE, 60 HZ, 3-3/4 - 7-1/2 IPS	
13	4590121-03		MOTOR, DRIVE, 50 HZ, 7-1/2 - 15 IPS	
14	4590121-04		MOTOR, DRIVE, 50 HZ, 3-3/4 - 7-1/2 IPS	
<p>VERSION: 4040993-07 7-1/2 - 15 IPS, 60 HZ 4040993-08 3-3/4 - 7-1/2 IPS, 60 HZ 4040993-09 7-1/2 - 15 IPS, 50 HZ 4040993-10 3-3/4 - 7-1/2 IPS, 50 HZ</p>				



WIRING DIAGRAM

Assembly No. 4040993, Drive Motor Assembly

NEXT HIGHER ASSEMBLY NO. 4020271

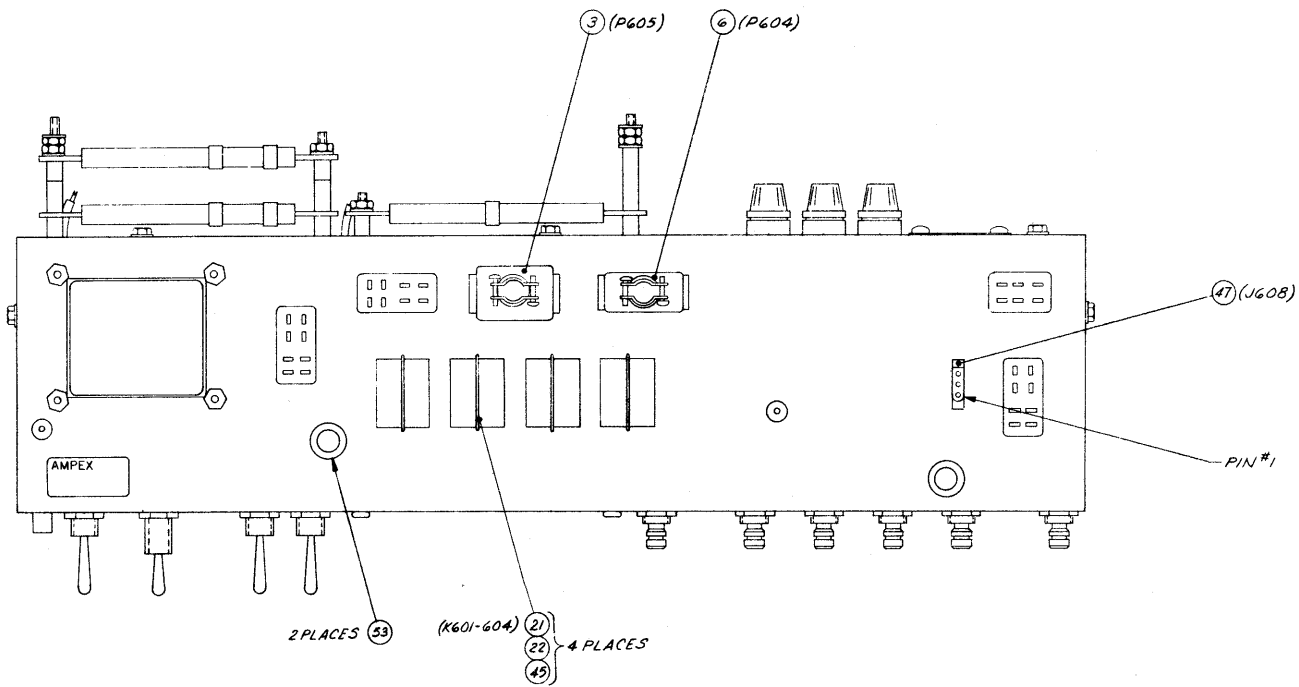
ITEM NO.	AMPEX PART NO.	REFERENCE NUMBER	DESCRIPTION	JEDEC NO. OR MFR. PART NO.
1	4030347-01		MAGNET ASSY	
5	4041195-01		SHAFT ASSY	
6	4050665-03		CABLE ASSY, MOTOR TACH	
8	4220272-01		SPACER, TACHOMETER	
9	4210327-01		CORE, TACH COIL	
10	4220261-01		SPACER, TACH PREAMP	
11	4220273-01		FLANGE, SERVO MOTOR	
13	4250087-01		TACHOMETER	
15	4280030-01		SEAL, BEARING	
16	4290715-01		HOUSING	
17				
17	4290759-02		COVER, PICKUP COIL	
18	4330311-02		PLATE, COVER	
19	4330088-01		PLATE, NYLON	
20	4580059-01		COIL, TACH PICKUP	
25	171-009		TERMINAL, QUICK DISCONNECT	
26	172-004		LUG, SOLDER, NO. 4, INT TOOTH	
28	251-105		CAP, BUTTON	
29	280-006		SPACER, UNTHD, NO. 6, .375 LG	
31	302-365		TIE, CABLE	
32	471-060		SCREW, PAN HD, XREC 4-40 X .25 LG	
33	471-068		SCREW, PAN HD, XREC 6-32 X .31 LG	
34	471-074		SCREW, PAN HD, XREC 6-32 X .88 LG	
35	471-327		SCREW, FLAT HD, 4-40 X .31 LG	
36	471-345		SCREW, FLAT HD, 3-32 X .38 LG	
37	471-389		SCREW, FLAT HD, 6-32 X .50 LG	
39	477-497		SCREW, SET, No. 6-32 X .19 LG, CUP POINT	
40	473-348		SCREW, PAN HD, 8-32 X .31 LG NYLON	
41	475-070		SCREW, PAN HD, XREC, 6-32 X .44 LG	
44	501-008		WASHER, FLAT, NO. 4	
45	501-009		WASHER, FLAT, NO. 6	
46	501-650		WASHER, BELLEVILLE	
47	501-702		WASHER, FINISHING, NYLON, BLACK, NO. 10	
48	502-002		WASHER, LOCK, SPRING, NO. 4	
49	502-003		WASHER, LOCK, SPRING, NO. 6	
53	430-085		RING, RETAINING, INTERNAL	
54	432-072		O-RING, SEAL, .437 I.D., .625 O.D.	
58	4041197-01		HUB & ARMATURE ASSY	
	4041196-01		BACK PLATE ASSY PMI	
	4041196-02		BACK PLATE ASSY PMI	
	4041200-01		HUB & ARMATURE ASSY, HUB COLOR GOLD	
	4041200-02		HUB & ARMATURE ASSY, HUB COLOR BLUE	
	4041144-01		BACK PLATE ASSY	

NEXT HIGHER ASSEMBLY NO. 4020271

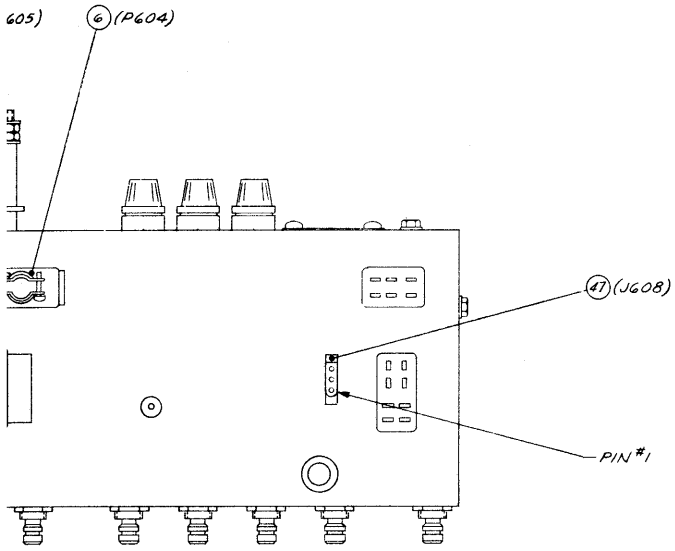
ITEM NO.	AMPEX PART NO.	REFERENCE NUMBER	DESCRIPTION	JEDEC NO. OR MFR. PART NO.
1	4041015-02		COVER ASSY, CONTROL BOX	
2	4041149-01		TRANSPORT CONTROL CHASSIS ASSY	
3	4050444-01	P605	DUMMY PLUG, REMOTE CONTROL	
6	4050710-03	P604	DUMMY PLUG, SERVO ELECTRONICS	
7	4050656-02		TRANSPORT CONTROL PWA	
8	4050635-02		CONTROL BOX HARNESS ASSY	
9	4580056-01	T601	TRANSFORMER, POWER	
10	4610083-01		HOLDER, LAMP, PILOT LIGHT	
11	4620053-01	S602	SWITCH, SPDT TOGGLE, SPEED	
12	4620064-01	S604, 605, 608, 611	SWITCH, PUSHBUTTON	
13	4620144-20	S606	SWITCH, PUSHBUTTON, NO	
14	4620144-30	S609	SWITCH, PUSHBUTTON, NO	
19	013-599	CR608	DIODE	1N914
20	013-678	CR601-7, 609-13, 615, 616, 617	DIODE	1N4385
21	020-144	K601, 602, 603, 604	RELAY, SPDT	
22	020-492		SPRING, RELAY HOLD DOWN	
24	030-001	C602-605	CAPACITOR, CERAMIC, 0.02 MFD, 500V	
25	030-465	C606, 607	CAPACITOR, CERAMIC, 0.005 MFD, 1400V	
26	031-624	C609	CAPACITOR, ELEC, 150 MFD, 200V	
27	035-985	C608, 610, 612, 615	CAPACITOR, MYLAR, 0.047 MFD, 400V, 20%	
28	035-999	C611, 613, 614	CAPACITOR, MYLAR, 0.1 MFD, 400V, 10%	
30	041-166	R601	RESISTOR, COMP, 47K, 1W, 10%	
31	049-333	R602, 604, 605	RESISTOR, 100 OHM, 1/4W, 10%	
33	059-013	R603	RESISTOR, 750 OHM, 55W, ADJ	
34	059-014	R606, 607	RESISTOR, 150 OHM, 55W, ADJ	
35	059-236	R609	RESISTOR, WW, 40 OHM, 20W	
36	060-323	DS601	LAMP, 120V, 0.025A	
39	070-002	F601, 602	FUSE, SLO-BLO, 3 AMP	
40	070-026	F603	FUSE, SLO-BLO, 1/2 AMP	
42	085-001		FUSEHOLDER, SHORT BODY	
43	119-249	S601, 607, 610	SWITCH, DPDT, TOGGLE	
44	145-501	J601	CONNECTOR, POWER, MALE, 3 CONTACTS	
45	150-992		SOCKET, RELAY	
47	166-079	J608	CONNECTOR, RECT, 3 PIN, MOLEX	
48	167-042	J609	CONNECTOR, RECT, 22 PIN, MOLEX	
49	172-003		LUG, SOLDER, LOCK, NO. 6	

NEXT HIGHER ASSEMBLY NO. 4020271

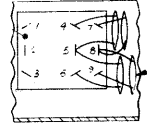
ITEM NO.	AMPEX PART NO.	REFERENCE NUMBER	DESCRIPTION	JEDEC NO. OR MFR. PART NO.
49	172-003		LUG, SOLDER, LOCK, NO. 6	
50	172-010		LUG, SOLDER, PLAIN, NO. 6	
51	175-005		BAND, ADJUSTABLE, POWER RESISTOR	
53	260-017		GROMMET, 3/8 ID X 5/8 OD X 1/4 THK	
54	280-026		SPACER, PLAIN, NO. 8 X 1/2 LG	
55	280-612		SPACER, PLAIN, NO. 8 X 1 LG	
57	301-011		CLAMP, CAPACITOR	
59	471-064		SCREW, PN HD, XREC, NO. 4-40 X 1/2 LG	
60	471-069		SCREW, PN HD, XREC, NO. 6-32 X 3/8 LG	
61	471-082		SCREW, PN HD, XREC, NO. 8-32 X 3/4 LG	
63	472-408		SCREW, PN HD, XREC, NO. 8-32 X 1-3/4 LG	
64	472-409		SCREW, PN HD, XREC, NO. 8-32 X 2 LG	
66	475-085		SCREW, PN HD, XREC, NO. 6-32 X 5/16 LG	
67	476-200		SCREW, HEX WASHER HD, SELF-TAPPING, NO. 6 X 3/16 LG	
69	496-004		NUT, KEP, NO. 4-40	
70	496-005		NUT, KEP, NO. 6-32	
71	496-006		NUT, KEP, NO. 8-32	
73	501-009		WASHER, PLAIN, NO. 6	
74	502-347		WASHER, LOCK, INT TOOTH	
76	4840261		SCHEMATIC, TRANSPORT	
VERSION: 4020338-03				



(C614)
 5 REQ'D (67)
 (T601) (9)
 4 REQ'D FARSIDE (70)

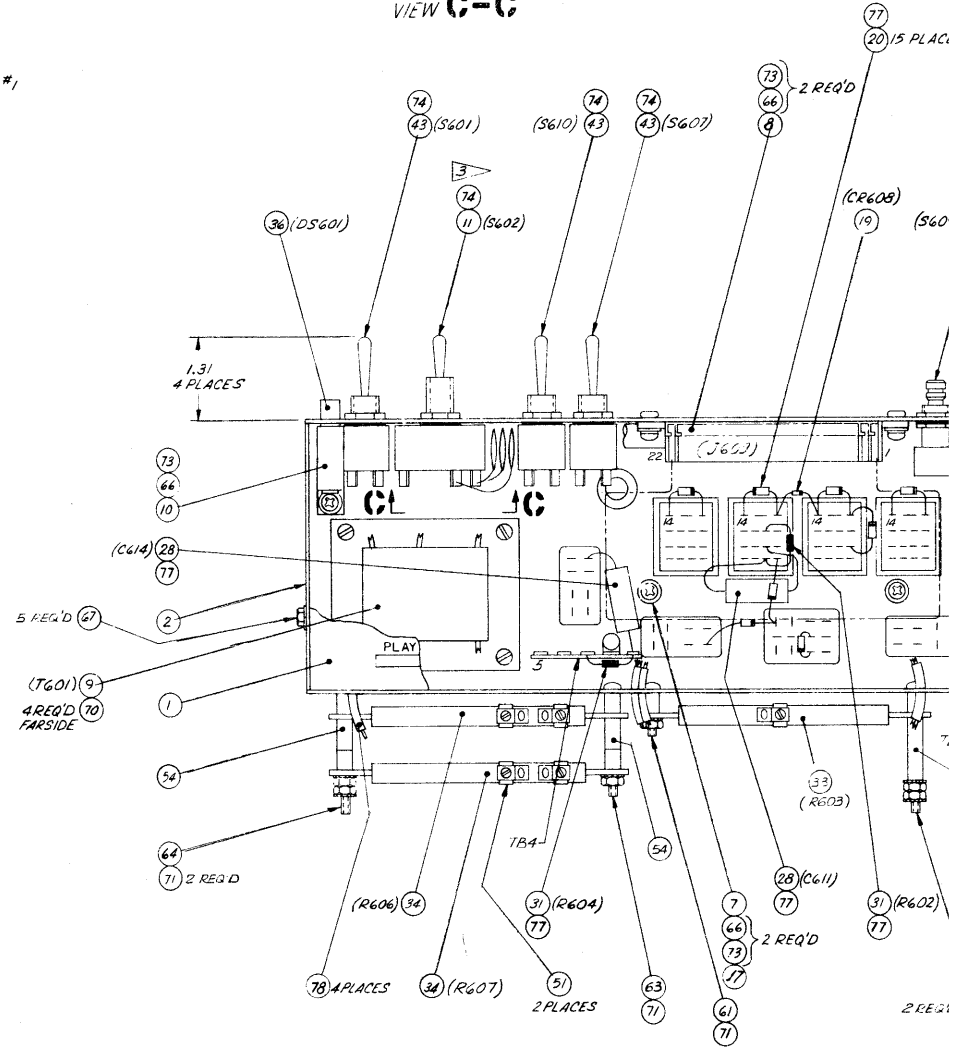


REF 11



24 4 REQ'D
(C602-605)
77

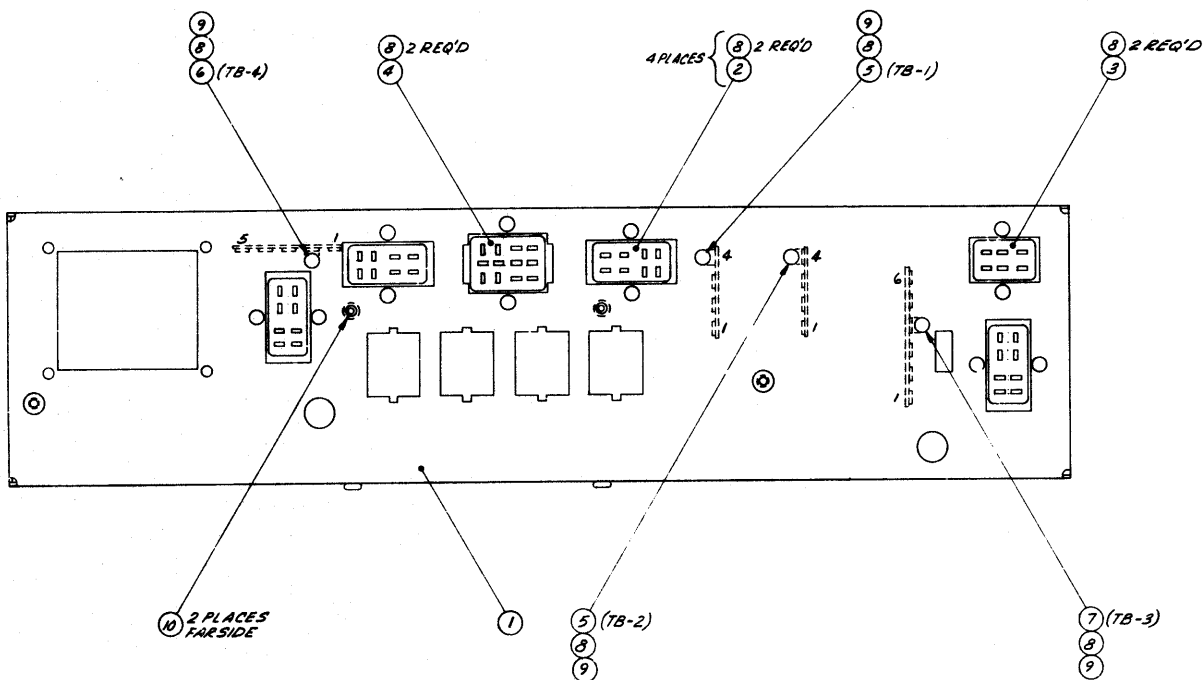
VIEW C-C



NEXT HIGHER ASSEMBLY NO. 4020338

ITEM NO.	AMPEX PART NO.	REFERENCE NUMBER	DESCRIPTION	JEDEC NO. OR MFR. PART NO.
1	4041092-01		CHASSIS, CONTROL BOX	
2	146-003		CONNECTOR, RECT RECP, 8 SOC	
3	146-004		CONNECTOR, RECT RECP, 6 SOC	
4	146-009		CONNECTOR, RECT RECP, 12 SOC	
5	180-079		STRIP, TERMINAL, SOLDER LUG	
6	180-277		STRIP, TERMINAL, SOLDER LUG	
7	180-994		STRIP, TERMINAL, SOLDER LUG	
8	460-008		RIVET, TUBULAR, OVAL HD, 0.12 DIA X 0.16 LG	
9	502-014		WASHER, LOCK, EXT TOOTH, NO. 6	
10	280-020		SPACER, THD, SWAGE, NO. 6-32 X 1.00 LG	

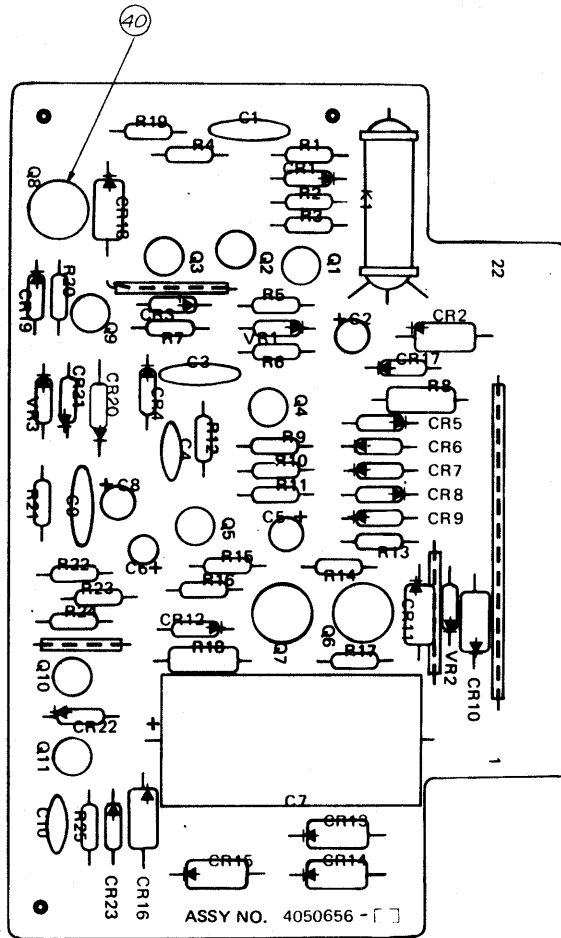
VERSION: 4041149-01



NEXT HIGHER ASSEMBLY NO. 4020338

ITEM NO.	AMPEX PART NO.	REFERENCE NUMBER	DESCRIPTION	JEDEC NO. OR MFR. PART NO.
2	4840261		SCHEMATIC, TRANSPORT	
5	013-599	CR1, 3-9, 12, 17, 19, 21-23	DIODE	1N914
6	013-663	VR1, 2	DIODE	1N967B
7	013-678	CR2, 10, 11, 13-16, 18	DIODE	1N4385
8	014-247	Q7	TRANSISTOR	2N2219
9	014-364	Q6, 8	TRANSISTOR	2N2905A
10	014-653	Q5, 11	TRANSISTOR	2N3904A
11	014-698	Q2, 3, 4	TRANSISTOR	2N3565
12	014-781	Q10	TRANSISTOR	MPS6518
13	014-882	Q1	TRANSISTOR	MPS3638A-5
14	020-778	K1	RELAY, SPST, REED	
15	013-983	CR20	DIODE	1N752A
16	013-830	VR3	DIODE	1N966B
17	030-057	C4, 10	CAPACITOR, CER, 0.01 UF, 100V, 20%	
18	030-144	C1, 3, 9	CAPACITOR, CER, 0.05 UF, 100V, 20%	
20	031-126	C7	CAPACITOR, ALUM, 250 UF, 50V	
22	037-895	C2, 8	CAPACITOR, TANT, 3.3 UF, 35V	
23	037-931	C5	CAPACITOR, TANT, 6.8 UF, 35V	
24	037-968	C6	CAPACITOR, TANT, 6.8 UF, 6V	
27	041-052	R8	RESISTOR, COMP, 2.2K, 1/2W, 10%	
28	041-054	R18	RESISTOR, COMP, 3.3K, 1/2W, 10%	
29	041-626	R6, 9, 14, 22	RESISTOR, COMP, 100K, 1/4W, 10%	
30	041-630	R17, 19	RESISTOR, COMP, 22K, 1/4W, 10%	
31	041-632	R16	RESISTOR, COMP, 12K, 1/4W, 10%	
32	041-633	R3, 4, 12, 13, 15, 20, 23	RESISTOR, COMP, 10K, 1/4W, 10%	
33	041-635	R21	RESISTOR, COMP, 6.8K, 1/4W, 10%	
34	041-968	R7, 11	RESISTOR, COMP, 1M, 1/4W, 10%	
35	041-640	R5	RESISTOR, COMP, 820 OHM, 1/4W, 10%	
36	049-372	R1, 2, 24	RESISTOR, COMP, 47K, 1/4W, 10%	
37	049-517	R10	RESISTOR, COMP, 220 OHM, 1/4W, 10%	
38	041-631	R25	RESISTOR, COMP, 15K, 1/4W, 10%	
40	280-998		PAD, MOUNTING	
41	580-440	Q9	TRANSISTOR	MPSA65-5

VERSION: 4050656-02



Assembly No. 4050656, Transport Control PWA

NEXT HIGHER ASSEMBLY NO. 4020338

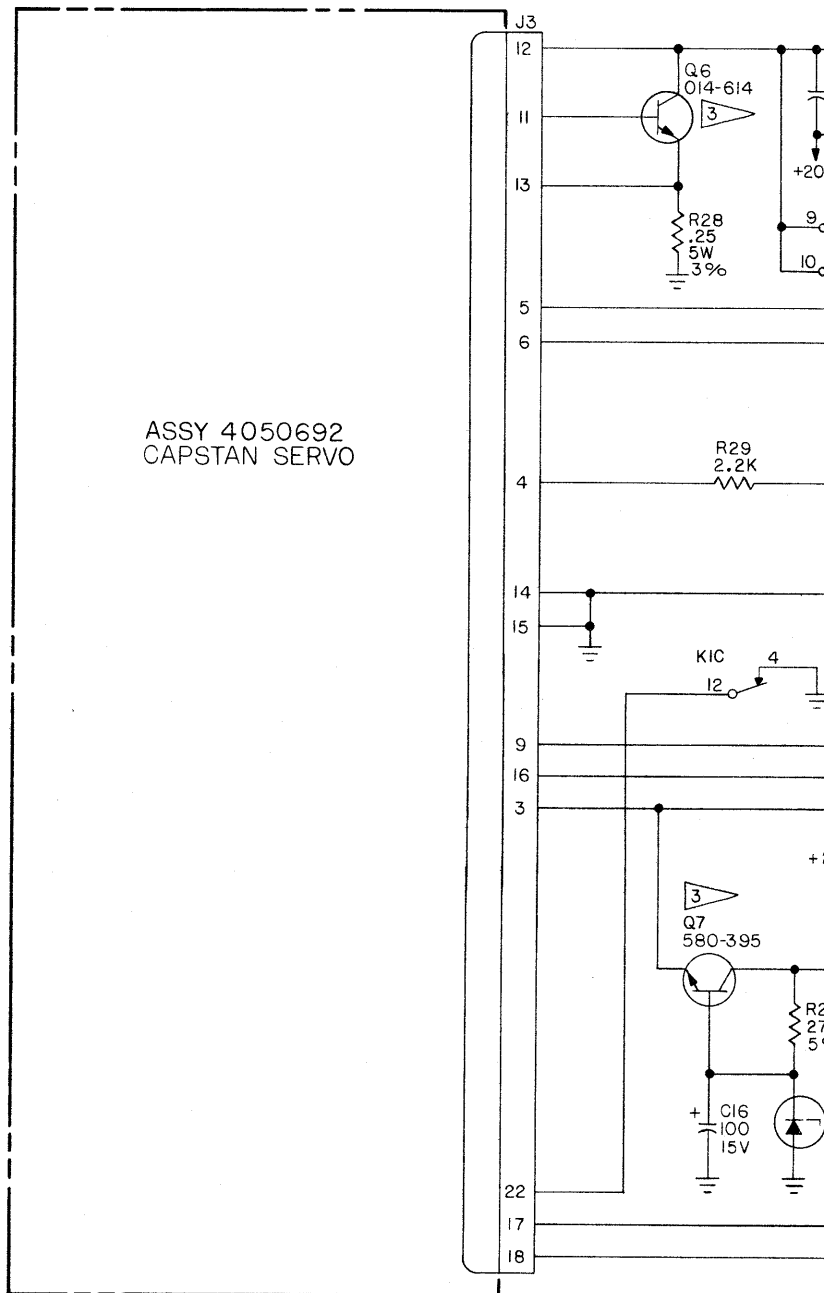
ITEM NO.	AMPEX PART NO.	REFERENCE NUMBER	DESCRIPTION	JEDEC NO. OR MFR. PART NO.
1	171-008	J609	CONNECTOR, SOLDERLESS, KNIFE	
2	167-042		CONNECTOR, RECT, 22 PIN	
3	167-041		PIN, ETCHED BOARD	
4	187-037		PIN, FEMALE	
<p>VERSION: 4050635-02</p>				

NEXT HIGHER ASSEMBLY NO. 4010202, 4010203, 4010204

ITEM NO.	AMPEX PART NO.	REFERENCE NUMBER	DESCRIPTION	JEDEC NO. OR MFR. PART NO.
1	4050585-01	P604/602	SERVO POWER CABLE ASSY	
2	4050615-01		CAPSTAN SERVO HARNESS ASSY	
3	4050692-05		CAPSTAN SERVO PWA	
4	4050710-01	P4	DUMMY PLUG ASSY	
6	4230133-02		GUIDE, PRINTED WIRING BOARD	
8	4260490-05		CHASSIS, SERVO CONTROL	
9	4290667-01		COVER, SERVO CHASSIS	
11	1228243-01	T1	TRANSFORMER, POWER	
13	4600066-01		SHIELD, SERVO	
16	013-678	CR2	DIODE	1N4385
17	013-749	VR1	DIODE	1N3023B
18	014-247	Q8	TRANSISTOR	
19	014-614	Q6	TRANSISTOR, W/HARDWARE	
21	020-144	K1	RELAY	
22	020-492		SPRING, RELAY HOLDDOWN	
24	030-145	C15	CAPACITOR, CER, 0.1 MFD, 20%, 50V	
26	041-503	R27	RESISTOR, 270 OHM, 1/4W, 5%	
27	041-633	R31	RESISTOR, 10K, 1/4W, 10%	
28	041-638	R30	RESISTOR, 3.3K, 1/4W, 10%	
29	041-639	R29	RESISTOR, 2.2K, 1/4W, 10%	
30	043-968	R28	RESISTOR, WW, 0.25 OHM, 5W, 3%	
32	063-024	C16	CAPACITOR, ELECT, 100 MFD, 15V	
33	063-149	C17	CAPACITOR, ELECT, 15,600 MFD, 50V	
34	065-004		BRACKET, CAP MOUNTING	
39	119-196	S1	SWITCH, 2PDT SLIDE	
40	143-804	J3	CONNECTOR, PRINTED WIRING BOARD, 28 CONTACT	
41	146-003	J4	CONNECTOR, FEMALE, 8 PIN	
42	146-004	J6	CONNECTOR, FEMALE, 6 PIN	
44	150-992		SOCKET, RELAY	
45	169-318		KEY, PC CONNECTOR	
47	171-007		LUG, SOLDER BLUE	
48	180-085	TB1, 2, 3	STRIP, TERMINAL	
49	180-994	TB4	STRIP, TERMINAL	
51	260-017		GROMMET, 3/8 ID	
55	471-062		SCREW, PN HD, XREC, NO. 4-40 X 3/8 LG	
56	471-063		SCREW, PN HD, XREC, NO. 4-40 X 7/16 LG	
57	471-067		SCREW, PN HD, XREC, NO. 6-32 X 1/4 LG	
59	471-070		SCREW, NO. 6-32 X 7/16 LG	
61	471-091		SCREW, PN HD, XREC, NO. 10-32 X 3/4 LG	
62	471-448		SCREW, PN HD, XREC, NO. 6-32 X 1-1/4 LG	

NEXT HIGHER ASSEMBLY NO. 4010202, 4010203, 4010204

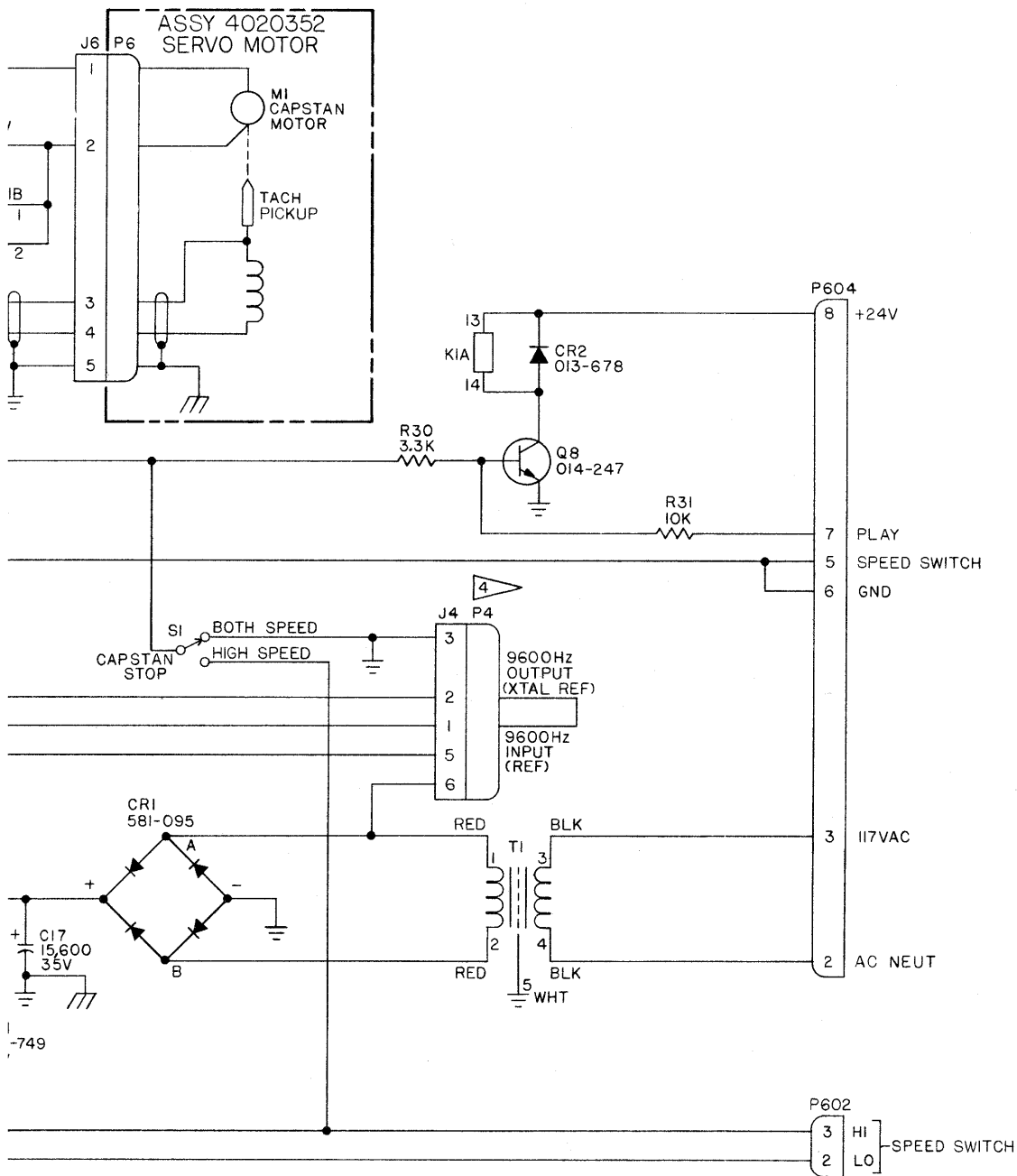
ITEM NO.	AMPEX PART NO.	REFERENCE NUMBER	DESCRIPTION	JEDEC NO. OR MFR. PART NO.
63	473-326		SCREW, SEMS, NO. 4-40 X 3/8 LG	
64	473-330		SCREW, SEMS, NO. 6-32 X 1/4 LG	
66	496-004		NUT, KEP, NO. 4-40	
67	496-005		NUT, KEP, NO. 6-32	
68	496-007		NUT, KEP, NO. 10-32	
69	498-445		NUT, SPRING, 0.125	
70	501-008		WASHER, PLAIN, NO. 4	
71	501-009		WASHER, FLAT, NO. 6	
72	580-165		HEATSINK	
73	580-395	Q7	TRANSISTOR, WITH HARDWARE	2N5190
74	581-095	CR1	DIODE BRIDGE ASSY	
81	4840279		SCHEMATIC, CAPSTAN SERVO CHASSIS	
82	4040356		SCHEMATIC, CAPSTAN SERVO BOARD	
VERSION: 4020353-01				



ASSY 4050692
CAPSTAN SERVO

NOTES: UNLESS OTHERWISE SPECIFIED.

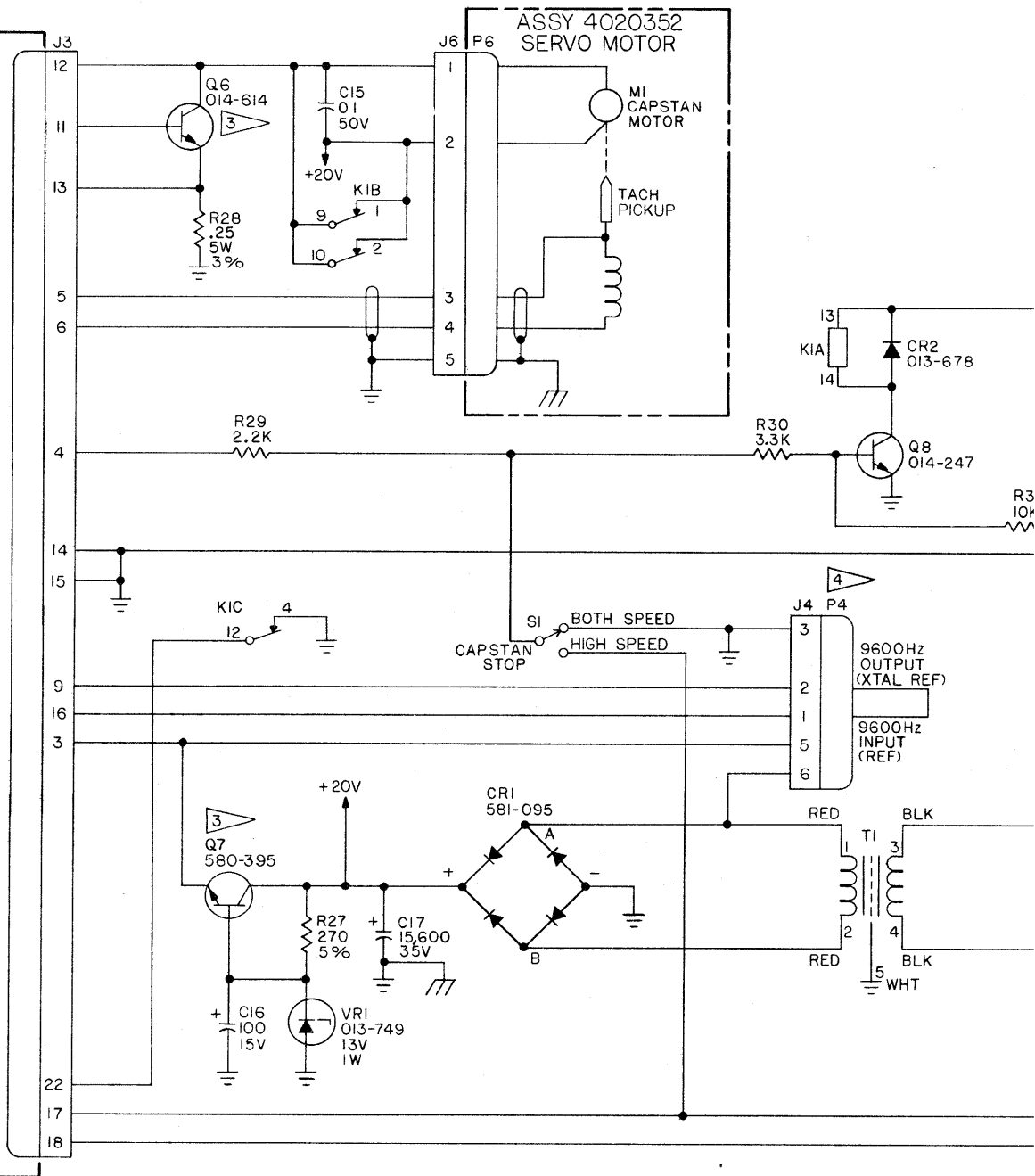
- 1 CAPACITANCE VALUES ARE IN MICROFARADS.
- 2 RESISTANCE VALUES ARE IN OHMS 1/4W, 10%.
- 3 HEATSINK REQUIRED.
- 4 DUMMY PLUG ASSY 4050710-01.
- 5 TO KEEP CAPSTAN RUNNING AT BOTH SPEEDS DURING STANDBY REMOVE K1.



FIELD SERVICE COMPONENT SUBSTITUTION LIST	
AMPEX P/N	COML. NEAREST EQUIVALENT
014-614	2N3055
580-395	2N5190
581-095	SCBA2(SEMTECH)
013-749	1N4743
014 247	2N2219A

Schematic No. 4840279
Capstan Servo Chassis

ASSY 4050692
CAPSTAN SERVO

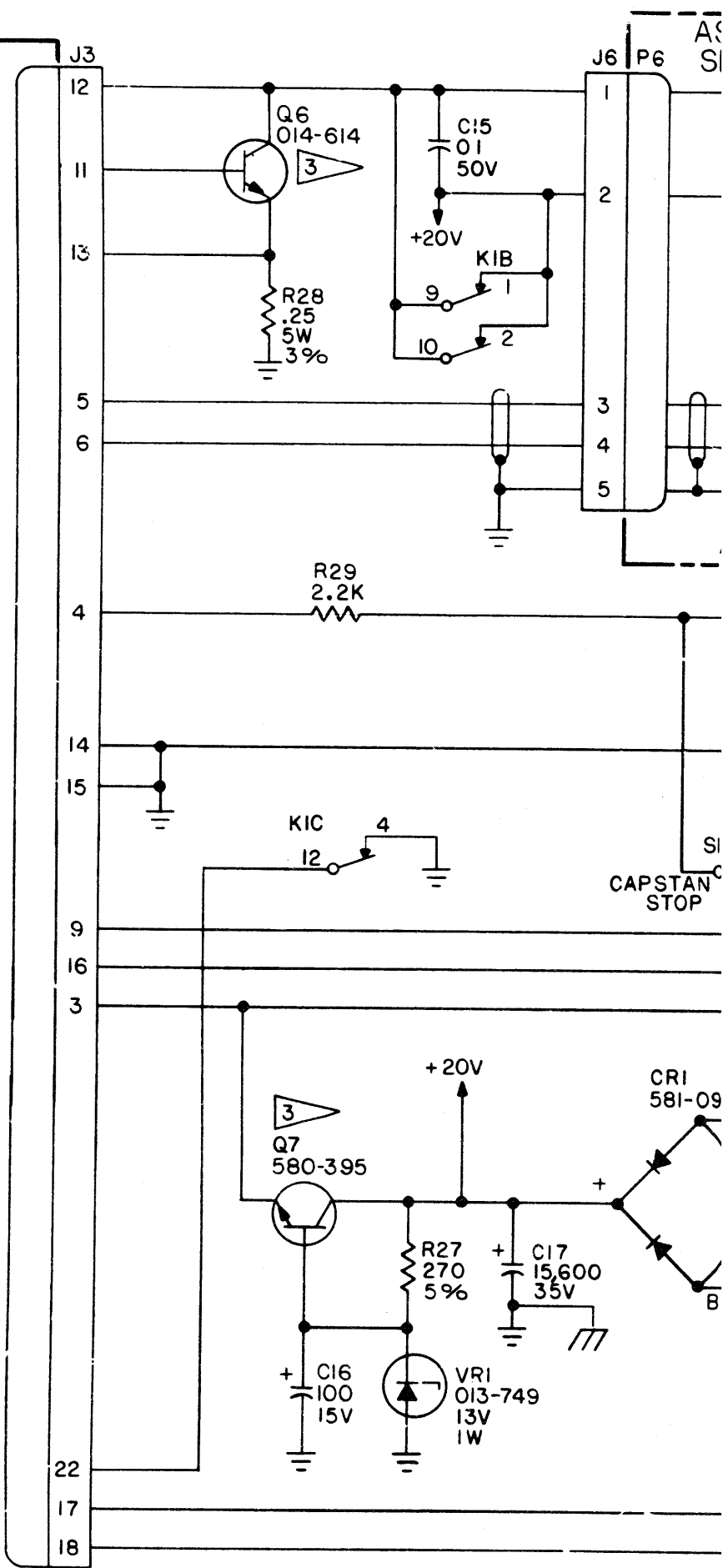


OTHERWISE SPECIFIED,
CAPACITANCE VALUES ARE IN MICROFARADS.
RESISTANCE VALUES ARE IN OHMS 1/4W, 10%.
SINK REQUIRED.
SERVO PLUG ASSY 4050710-01.
KEEP CAPSTAN RUNNING AT BOTH SPEEDS
DURING STANDBY REMOVE KI.

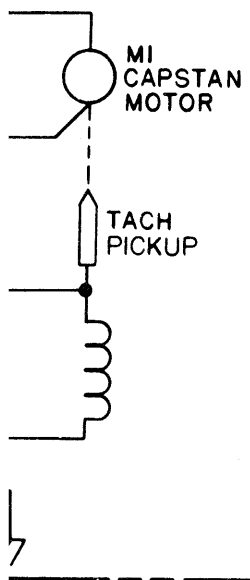
FIELD SERVICE COMPONENT SUBSTITUTION LIST	
AMPEX P/N	COML. NEAREST EQUIVALENT
014-614	2N3055
580-395	2N5190
581-095	SCBA2(SEMTECH)
013-749	1N4743
014-247	2N2219A

ASSY 4050692
CAPSTAN SERVO

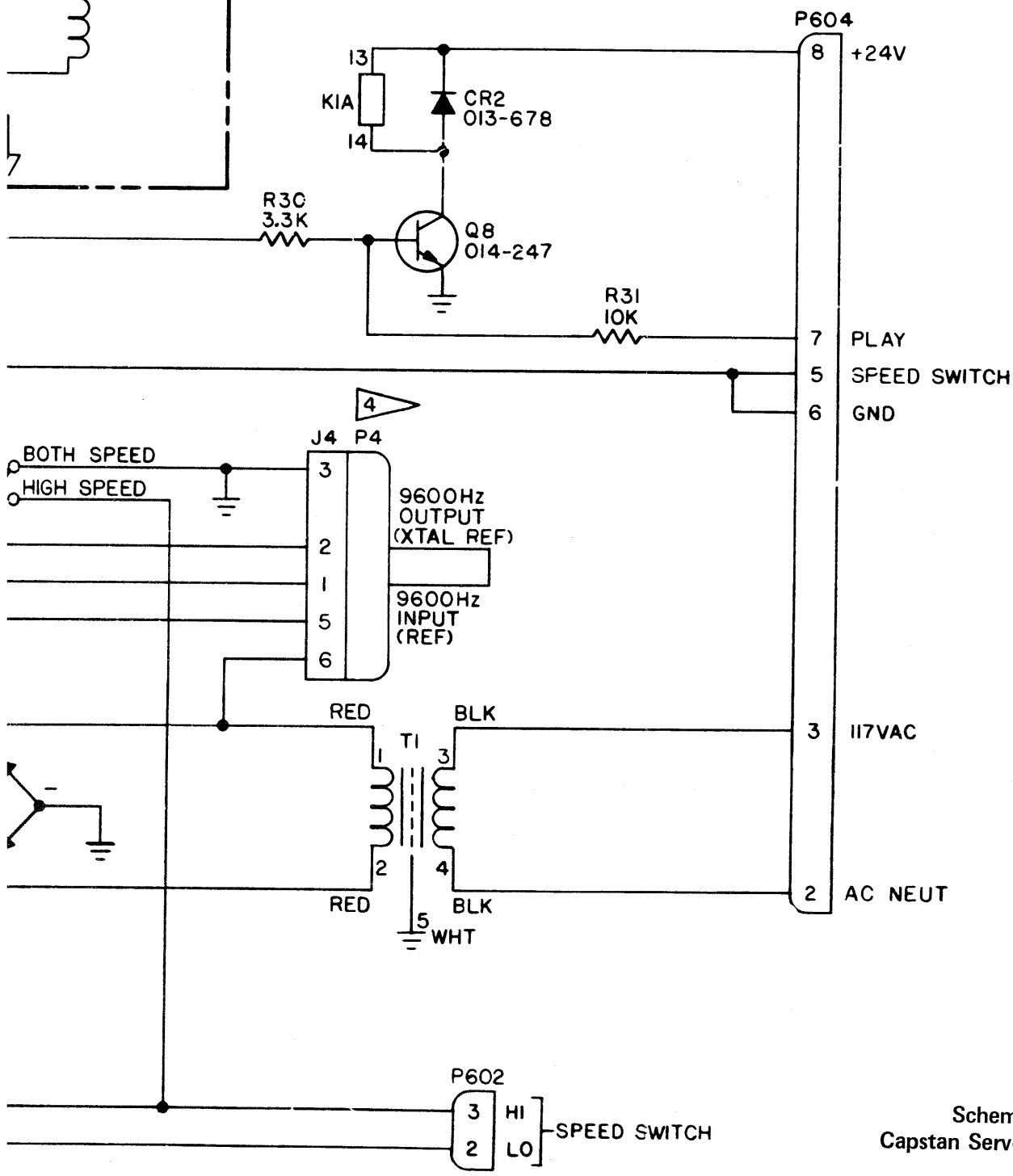
FIELD SERVICE COMPONENT SUBSTITUTION LIST		
AMPEX	P/N	COML. NEAREST EQUIVALENT
	014-614	2N3055
	580-395	2N5190
	581-095	SCBA2 (SEMTECH)
	013-749	1N4743
	014 247	2N2219A



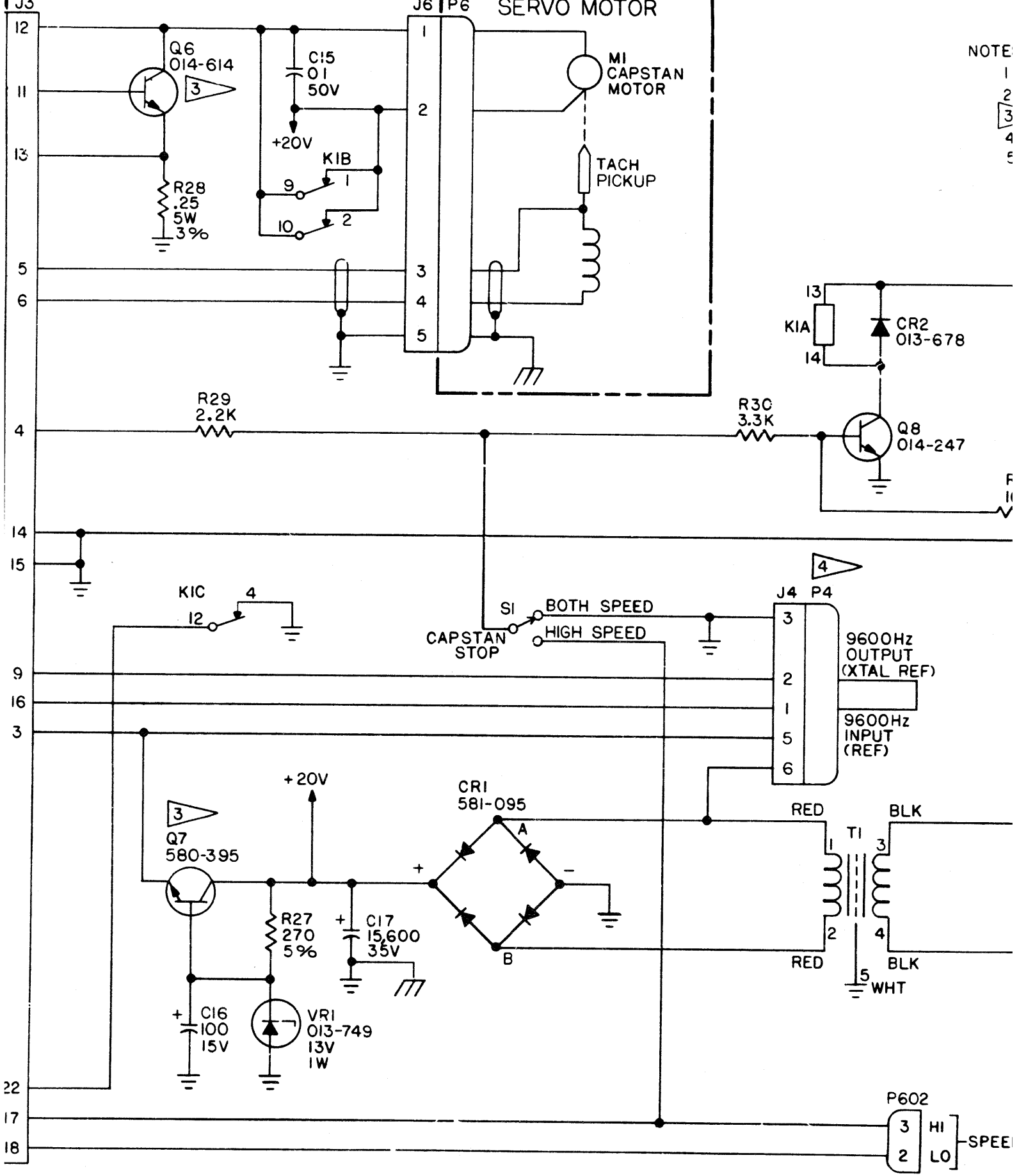
RVO MOTOR



- NOTES: UNLESS OTHERWISE SPECIFIED.
- 1 CAPACITANCE VALUES ARE IN MICROFARADS.
 - 2 RESISTANCE VALUES ARE IN OHMS 1/4W, 10%.
 - 3 HEATSINK REQUIRED.
 - 4 DUMMY PLUG ASSY 4050710-01.
 - 5 TO KEEP CAPSTAN RUNNING AT BOTH SPEEDS DURING STANDBY REMOVE KI.



Schematic No. 4840279
Capstan Servo Chassis Assembly



NOTE
1
2
3
4
5

F 11

4

P602

HI
LO } SPEED

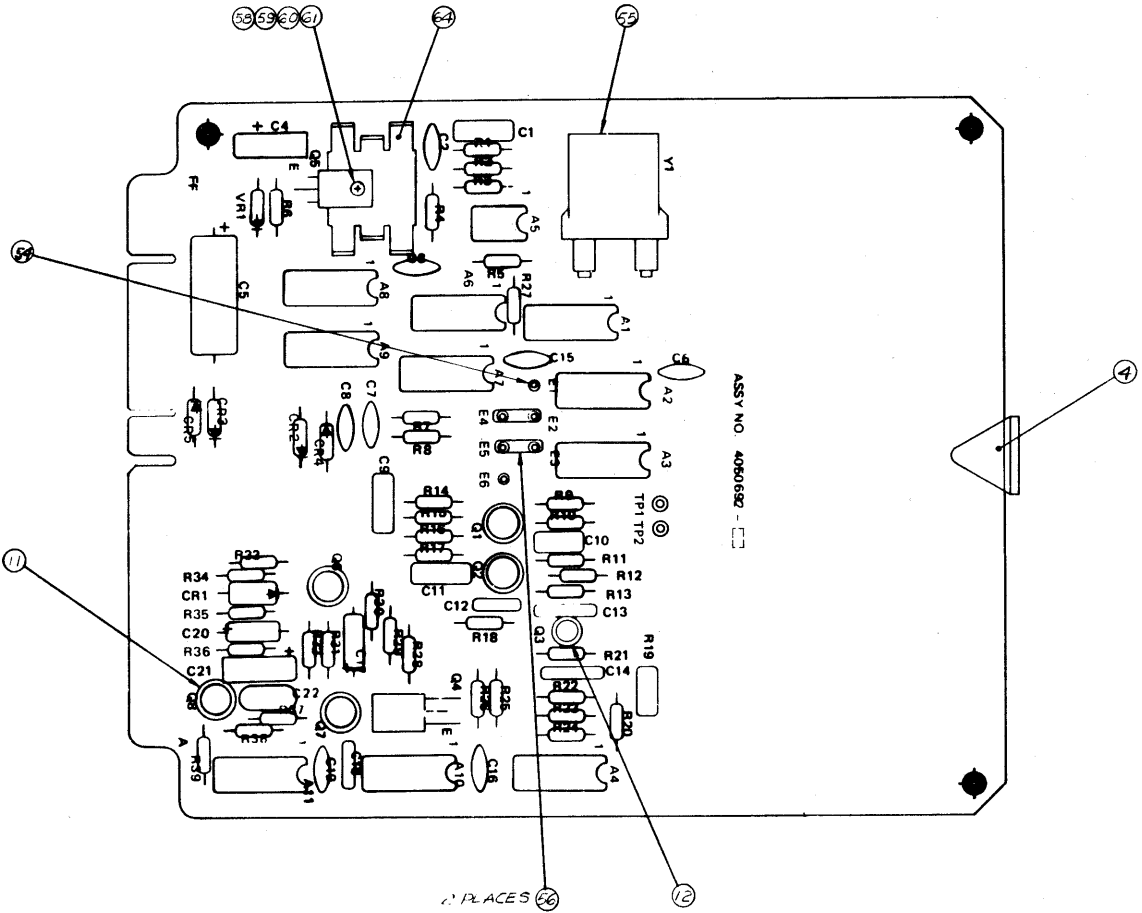
NEXT HIGHER ASSEMBLY NO. 4020353

ITEM NO.	AMPEX PART NO.	REFERENCE NUMBER	DESCRIPTION	JEDEC NO. OR MFR. PART NO.
2	4840356		SCHEMATIC	
4	52528-01		HANDLE	
6	013-678	CR1	DIODE	1N4385
7	013-983	VR1	DIODE	1N752A
8	013-599	CR2-5	DIODE	1N914
9	014-652	Q3, 7	TRANSISTOR	2N3906
10	014-698	Q1, 2, 6, 8	TRANSISTOR	2N3565
11	014-793		PAD, MOUNTING, TRANSISTOR	
12	280-130		PAD, MOUNTING, TRANSISTOR	
13	017-122	Y1	CRYSTAL, MONITOR, PRODUCTS	
15	030-057	C2, 3, 6-8, 15, 16, 19	CAPACITOR, CER, DISC, 0.01 UF, 100V, 20%	
16	030-437	C1, 9	CAPACITOR, MONO, 0.1 UF, 25V	
18	055-195	C18	CAPACITOR, MYLAR, 0.0068 UF, 50V, 5%	
19	041-411	R2, 18	RESISTOR, COMP, 47K, 1/4W, 5%	
20	034-283	C22	CAPACITOR, MICA, 820 PF	
22	035-853	C13	CAPACITOR, MYLAR, 0.056 UF, 50V, 5%	
23	035-893	C14	CAPACITOR, MYLAR, 0.1 UF, 50V, 5%	
24	035-596	C11	CAPACITOR, MYLAR, 0.082 UF, 50V, 5%	
25	041-408	R4, 9, 10, 11, 32	RESISTOR, COMP, 10K, 1/4W, 5%	
26	037-367	C17, 20	CAPACITOR, TANT, 2.2 UF, 20V, 10%	
27	037-620	C5	CAPACITOR, TANT, 100 UF, 20V, 10%	
28	037-894	C4, 21	CAPACITOR, TANT, 100 UF, 10V, 5%	
29	041-482	R37	RESISTOR, COMP, 12K, 1/4W, 5%	
31	041-407	R7, 8, 27, 34	RESISTOR, COMP, 3.2 OHM, 1/4W, 5%	
33	041-410	R5, 15, 30	RESISTOR, COMP, 1K, 1/4W, 5%	
35	041-412	R14	RESISTOR, COMP, 4.7K, 1/4W, 5%	
37	041-443	R1	RESISTOR, COMP, 39K, 1/4W, 5%	
38	041-483	R35	RESISTOR, COMP, 27K, 1/4W, 5%	
39	041-495	R3	RESISTOR, COMP, 8.2K, 1/4W, 5%	
40	041-502	R26	RESISTOR, COMP, 240 OHM, 1/4W, 5%	
41	041-503	R6	RESISTOR, COMP, 270 OHM, 1/4W, 5%	
42	041-504	R25	RESISTOR, COMP, 510 OHM, 1/4W, 5%	
44	041-530	R29	RESISTOR, COMP, 15 OHM, 1/4W, 5%	
45	041-409	R36	RESISTOR, COMP, 15K, 1/4W, 5%	
46	041-394	R33, 39	RESISTOR, COMP, 100K, 1/4W, 5%	
47	041-653	R31	RESISTOR, COMP, 39 OHM, 1/4W, 5%	
48	055-133	C10	CAPACITOR, MYLAR, 0.0022 UF, 50V, 5%	
49	055-168	C12	CAPACITOR, MYLAR, 0.0056 UF, 50V, 5%	
50	041-562	R28	RESISTOR, COMP, 43K, 1/4W, 5%	
51	057-137	R12, 13, 16, 17, 21	RESISTOR, METAL FILM, 51K, 1/4W, 2%	

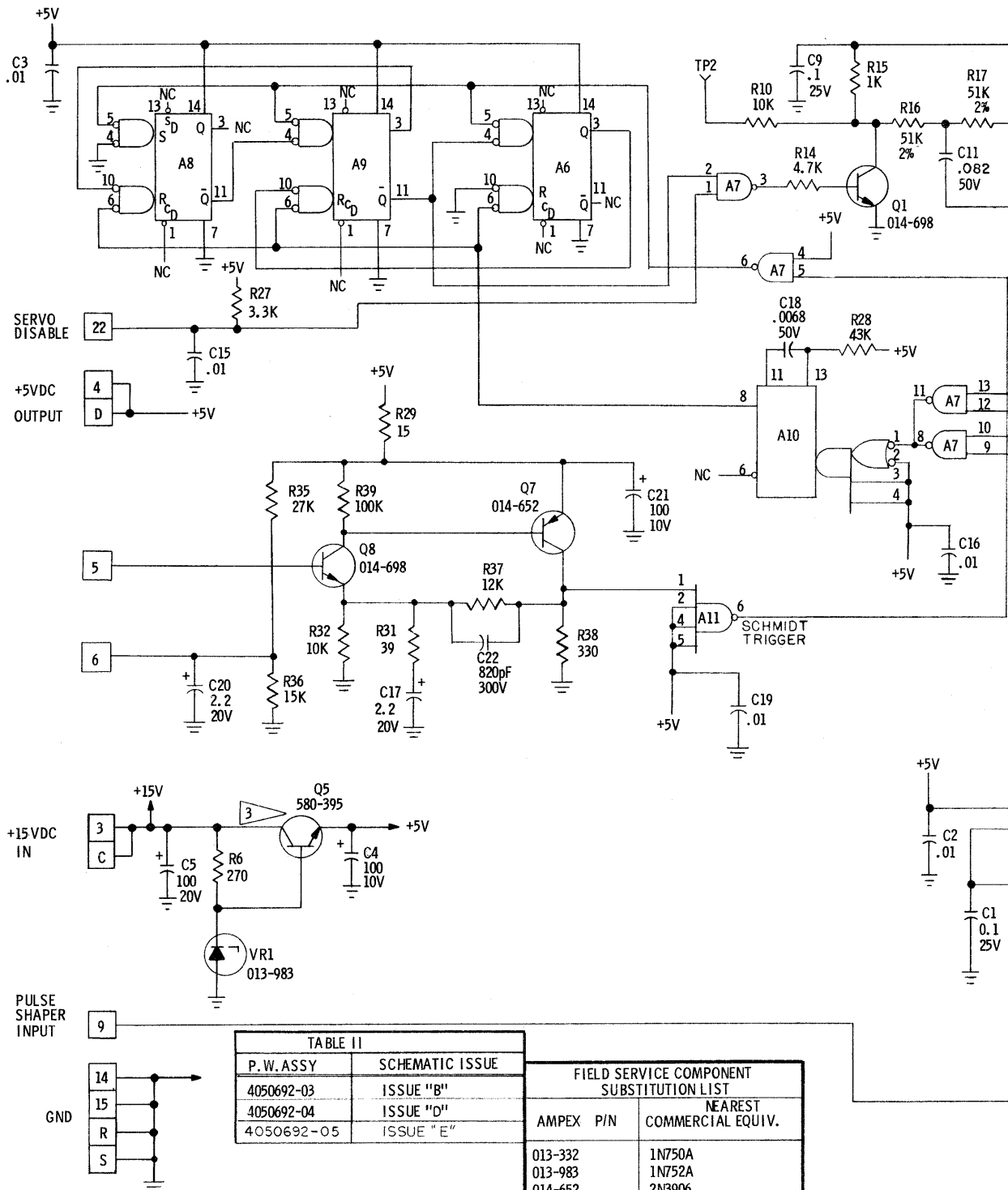
NEXT HIGHER ASSEMBLY NO. 4020353

ITEM NO.	AMPEX PART NO.	REFERENCE NUMBER	DESCRIPTION	JEDEC NO. OR MFR. PART NO.
52	041-427	R38	RESISTOR, 330 OHM, 1/4W, 5%	
53	058-754	R19	RESISTOR, VAR, CERMET, 100 OHM, 1W, 20%	
54	143-981	E1-6	CONNECTOR, JACK	
55	150-106		BRACKET, MOUNTING, CRYSTAL	
56	166-628		PLUG, SHORTING BLOCK' BLACK	
58	471-062		SCREW, XREC, PN HD, 4-40 X 0.375 LG	
59	492-008		NUT, PLAIN, HEX, 4-40	
60	501-008		WASHER, FLAT, NO. 4	
61	502-024		WASHER, LOCK, NO. 4	
62	057-122	R20, 23	RESISTOR, METAL FILM, 12K, 1/4W, 2%	
63	057-133	R22, 24	RESISTOR, METAL FILM, 36K, 1/4W, 2%	
64	580-332		HEATSINK	
65	580-395	Q4, 5	TRANSISTOR	2N5190
68	586-153	A7	INTEGRATED CIRCUIT	MC846P
69	586-268	A4	INTEGRATED CIRCUIT	UA741C
70	586-283	A1	INTEGRATED CIRCUIT	SN7493H
71	586-309	A10	INTEGRATED CIRCUIT	U6A9601
72	586-425	A2, 3	INTEGRATED CIRCUIT	MC853P
73	586-698	A6, 8, 9	INTEGRATED CIRCUIT	U6A9950
74	587-086	A5	INTEGRATED CIRCUIT	LM311N
75	586-680	A11	INTEGRATED CIRCUIT	SN7413J

VERSION: 4050692-05



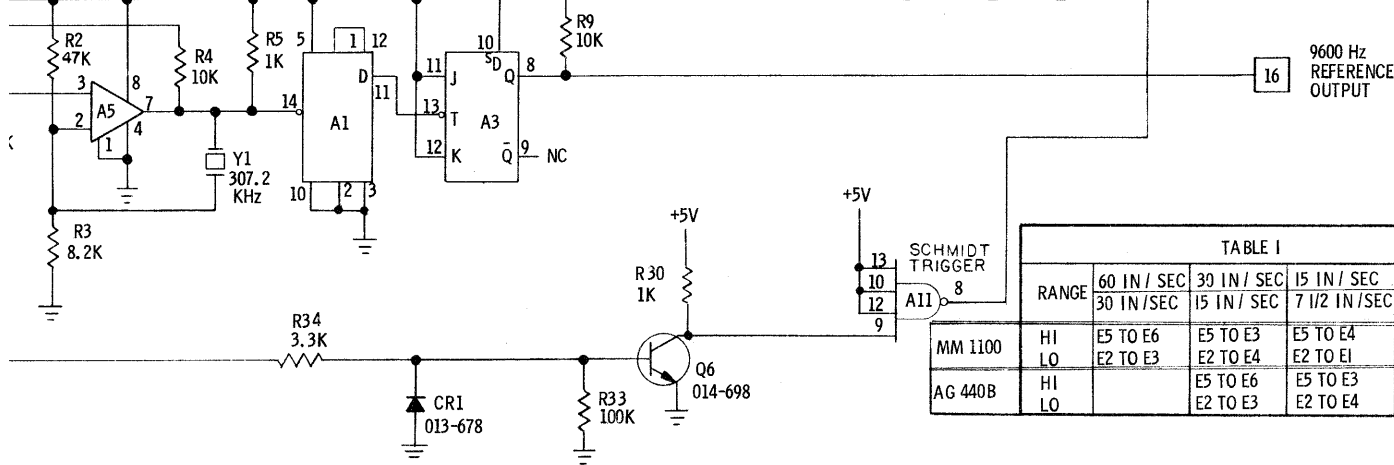
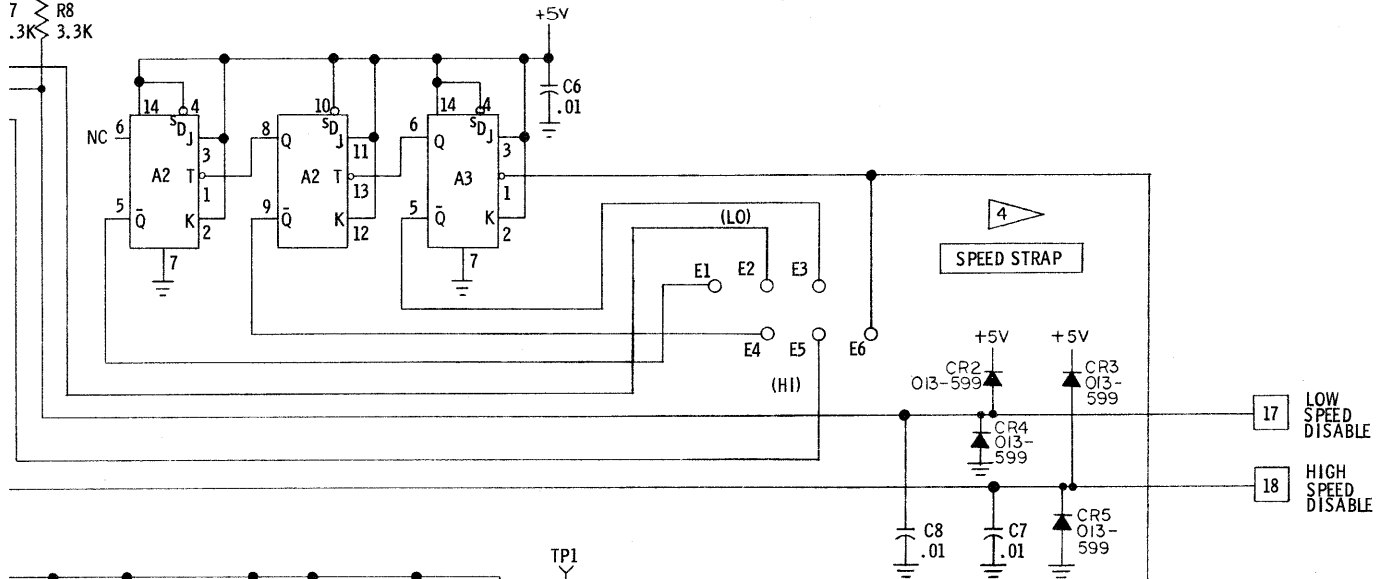
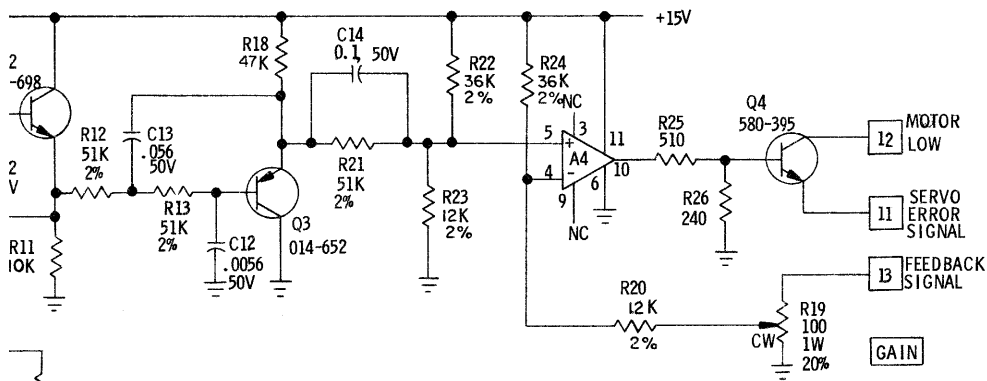
Assembly No. 4050692, Capstan Servo PWA



- NOTES: UNLESS OTHERWISE SPECIFIED
- CAPACITANCE VALUES ARE IN MICROFARADS, 100V.
 - RESISTANCE VALUES ARE IN OHMS 1/4W, 5%.
 - HEATSINK REQUIRED.
 - SEE TABLE I FOR SPEED STRAPPING.

TABLE II		FIELD SERVICE COMPONENT SUBSTITUTION LIST	
P. W. ASSY	SCHEMATIC ISSUE	AMPEX P/N	NEAREST COMMERCIAL EQUIV.
4050692-03	ISSUE "B"	013-332	1N750A
4050692-04	ISSUE "D"	013-983	1N752A
4050692-05	ISSUE "E"	014-652	2N3906
		580-395	2N5190
		014-698	NONE
		013-678	1N4385

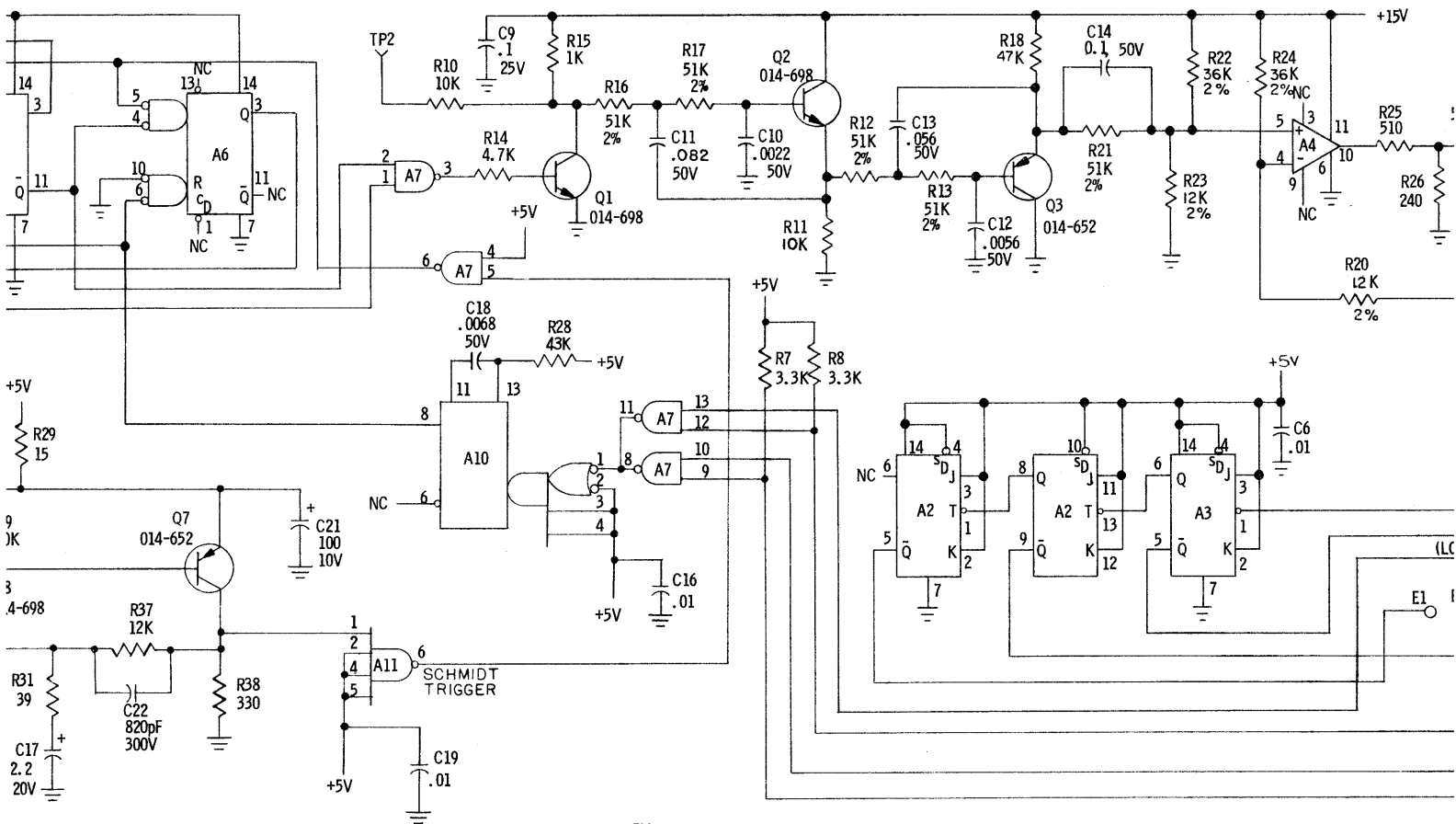
REFERENCE DESIGNATION		I. C. LIST						
LAST USED	NOT USED	REFERENCE DESIGNATION	A11	A6, 8, 9	A7	A4	A1	A
A11	Q8	AMPEX P/N	586-680	586-698	586-153	586-268	586-283	58
C22	Y1	VENDOR P/N	SN7413J	U6A 9950	MC 846P	UA 741C	SN7493N	M
R39	CR5	VOLTAGE PIN	14	14	14	11	5	
TP2	E6	GROUND PIN	7	7	7	6	10	



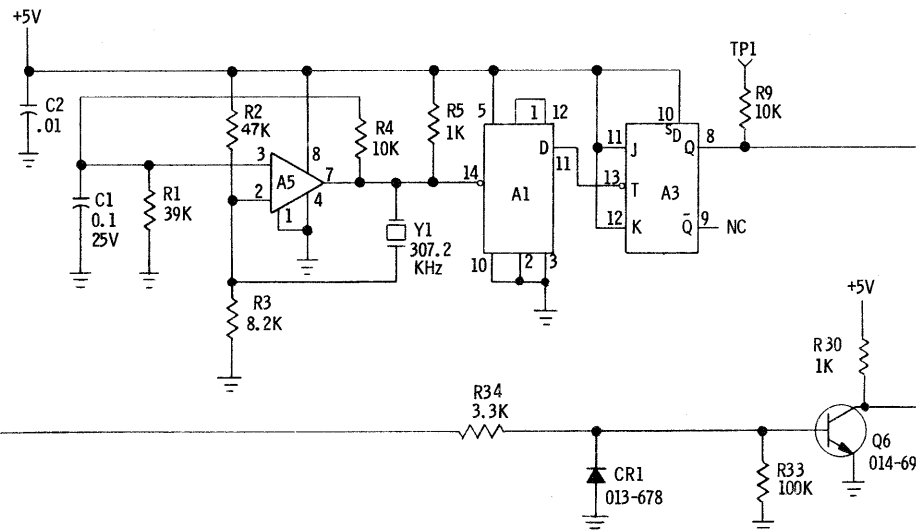
RANGE	60 IN / SEC	30 IN / SEC	15 IN / SEC	7 1/2 IN/SEC
	30 IN / SEC	15 IN / SEC	7 1/2 IN / SEC	3 3/4 IN/SEC
MM 1100	HI LO	E5 TO E6 E2 TO E3	E5 TO E3 E2 TO E4	E5 TO E4 E2 TO E1
AG 440B	HI LO		E5 TO E6 E2 TO E3	E5 TO E3 E2 TO E4

A5	A10
587-086	586-309
LM-311N	U6 A9601
8	14
4,1	7

Schematic No. 4840356
Capstan Servo PWA



→ +5V
4 00 0V



SCHEMATIC ISSUE		FIELD SERVICE COMPONENT SUBSTITUTION LIST	
ISSUE "B"		AMPEX P/N	NEAREST COMMERCIAL EQUIV.
ISSUE "D"			
ISSUE "E"			
		013-332	1N750A
		013-983	1N752A
		014-652	2N3906
		580-395	2N5190
		014-698	NONE
		013-678	1N4385

10V.

REFERENCE DESIGNATION		I.C. LIST								
AST USED	NOT USED	REFERENCE DESIGNATION	A11	A6, 8, 9	A7	A4	A1	A2, 3	A5	A10
Q8		AMPEX P/N	586-680	586-698	586-153	586-268	586-283	586-425	587-086	586-309
Y1		VENDOR P/N	SN7413J	U6A 9950	MC 846P	UA 741C	SN7493N	MC 853P	LM-311N	U6 A9601
CR5		VOLTAGE PIN	14	14	14	11	5	14	8	14
TP2		GROUND PIN	7	7	7	6	10	7	4, 1	7

NEXT HIGHER ASSEMBLY NO. 4020353

ITEM NO.	AMPEX PART NO.	REFERENCE NUMBER	DESCRIPTION	JEDEC NO. OR MFR. PART NO.
2	145-012	P602	CONNECTOR, RECT PLUG, 6 PINS	
3	145-013	P604	CONNECTOR, RECT PLUG, 8 PINS	
4	262-004		BUSHING, SLEEVE, 0.437 ID	
8	262-002		BUSHING, SLEEVE, 0.220 ID	
VERSION: 4050585-01				

